

# NORLUX®

Lighting Solutions

## INSTALLATION INSTRUCTION TRAILING EDGE DIMMER D350S

### Features

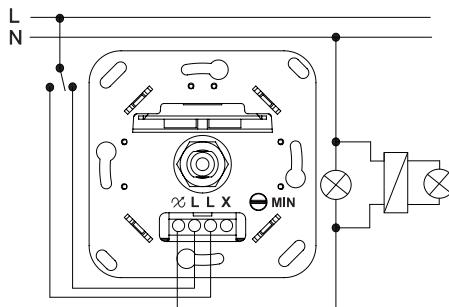
- No neutral required
- Soft start
- Suitable for 1-way or 2-way operation
- Overheating protection
- Smooth dimming compatible with most LED fittings

### Technical specifications

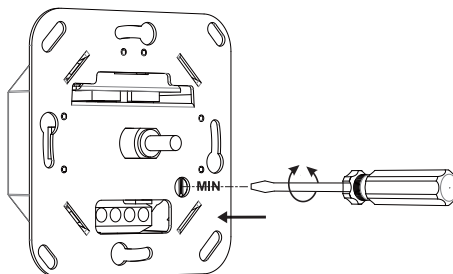
Dimming method:	Trailing edge
Supply voltage:	220-240V AC 50/60Hz
Load wattage:	0-280W (max 1,5A)
Ta:	0...+40°C
Weight:	100g

### Installing the dimmer

Wiring the dimmer for the desired application.

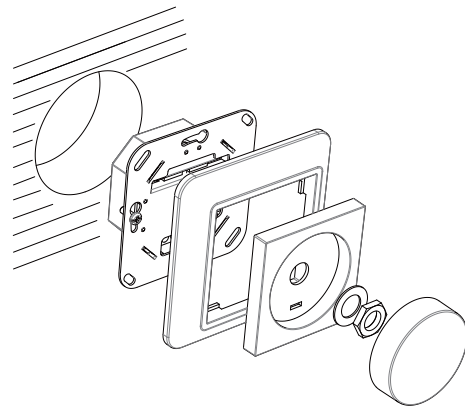


Setting the minimum brightness of the lamps.



- Switch the dimmer on.
- Dim the brightness right down using the rotary knob.
- Set the minimum brightness using the set-screw (MIN).

Installing the dimmer and covers.



### Operating the dimmer

- You switch the connected lamps on and off by pressing the rotary knob.
- By turning the rotary knob, you dim the lamps brighter or darker.

### Important Note!

**Only skilled electricians may install this electrical equipment otherwise there is the risk of fire or electric shock.**