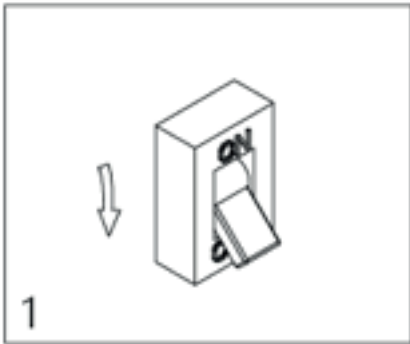
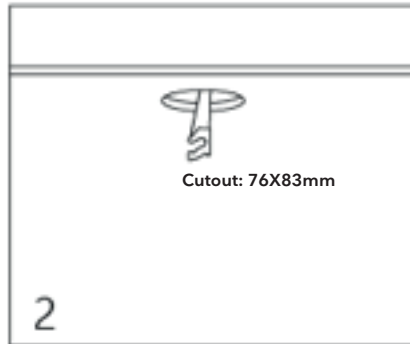


Installasjonsmanual / Installation manual

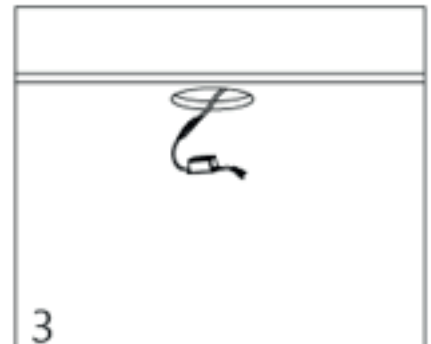
- Ensure the power to the circuit being used is disconnected and will stay disconnected until the job is completed.
- Make sure the mounting surface is strong enough to carry the weight of the fitting and the strength of the springs.
- Do not remove the cover or any part to modify wiring as this will not only compromise the IP rating but also warranty terms. Compromising with IP rating may lead to premature failure of the product.



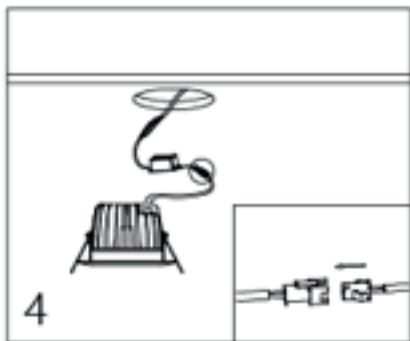
1
Cut off the power supply before start.



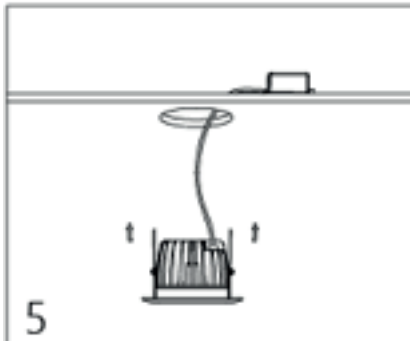
2
Cut out a hole in the ceiling at a certain diameter given in the box label.



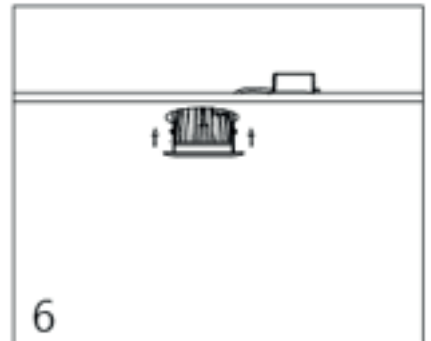
3
Connect the line of 230V to the AC input of the driver.



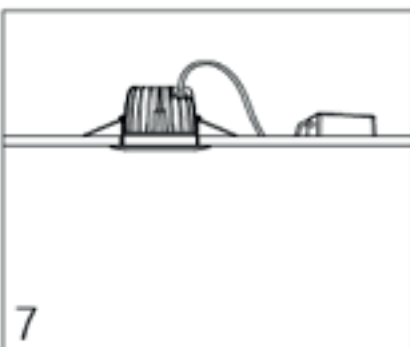
4
Connect the light to the driver via the plug.



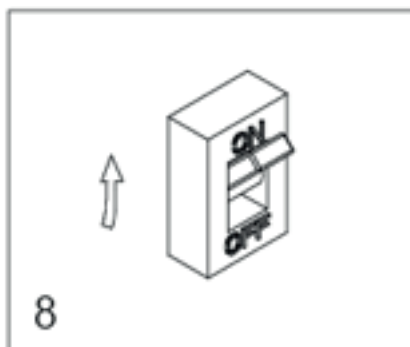
5
Put the driver onto the ceiling, then pull the springs into vertical state.



6
Insert the springs as well as the lamp.



7
Release the springs, it will lock the lamp on the ceiling.



8
Turn on the power supply.

Safety Warnings, Precautions & Limitations:

Safety Warnings, Precautions & Limitations:

- The product must be installed, maintained and operated as per manufacturer's instructions.
- Before starting installation of this product, make sure power supply is DISCONNECTED.
- Do not install the product if it appears damaged in anyway, check with manufacturer if in doubt.
- This product must be installed by a licensed electrician.
- Do not cover UNLESS manufacturer otherwise states the fitting is suitable.
- Inspect the fitting regularly. Any damage to the light fitting, immediately cease use of the fitting.
- Do not modify this fitting in any matter as this will void warranty.
- Check protection class, if class I, it must be earthed.
- Check fitting application suitability for indoor or outdoor use. Refer to IPXX or check with the manufacturer if in doubt.
- DISCONNECT FROM POWER SUPPLY BEFORE any maintenance or cleaning.
- Do not Megger between Line and Neutral.