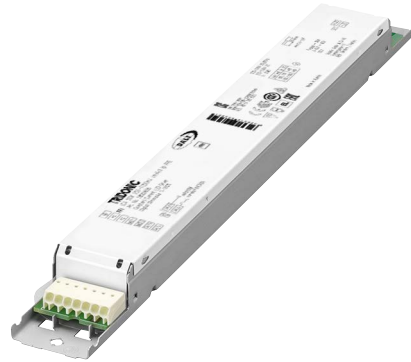




### Driver LCA 75W 350–1050mA one4all Ip PRE PREMIUM series

#### Product description

- Dimmable built-in constant current LED Driver
- Adjustable output current between 350 and 1,050 mA via ready2mains™ Programmer, I-select 2 plugs or DALI
- Max. output power 75 W
- Up to 92 % efficiency
- Power input on stand-by < 0.16 W
- Dimming range 1 – 100 %
- For luminaires of protection class I and protection class II
- Nominal life-time up to 100,000 h
- 5-year guarantee



#### Housing properties

- Low profile metal casing with white cover
- Type of protection IP20

#### Interfaces

- one4all (DALI-2 DT 6, DSI, switchDIM, corridorFUNCTION)
- ready2mains™ (configuration and dimming via mains)
- Terminal blocks: 0° push terminals

#### Functions

- Adjustable output current (DALI, ready2mains™, I-select 2)
- Constant light output function (CLO)
- Power-up fading at AC
- Configurable via ready2mains™
- Service monitor to log certain events
- Protective features (overtemperature, short-circuit, overload, no-load, input voltage range, reduced surge amplification)
- Suitable for emergency lighting acc. to EN 50172

#### Benefits

- Application-oriented operating window for maximum compatibility
- Best energy savings due to low stand-by losses and high efficiency
- Flexible configuration via DALI, ready2mains™ and I-select 2
- Reliability proven by life-time up to 100,000 h and 5-year guarantee

#### Typical applications

- For linear/area lighting in office applications



**Standards**, page 4

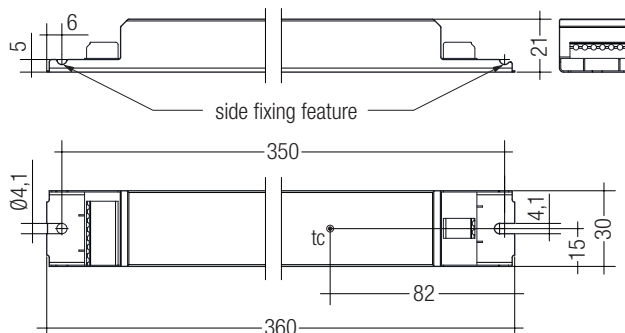


### Driver LCA 75W 350-1050mA one4all Ip PRE

PREMIUM series

#### Technical data

|  |                         |
|--|-------------------------|
| Rated supply voltage   | 220 – 240 V             |
| AC voltage range   | 198 – 264 V             |
| DC voltage range   | 176 – 280 V             |
| Mains frequency  | 0 / 50 / 60 Hz          |
| Overvoltage protection   | 320 V AC, 48 h          |
| Typ. current (at 230 V, 50 Hz, full load) <sup>①</sup> ⊗               | 205 – 365 mA            |
| Typ. current (220 V, 0 Hz, full load, 15 % dimming level) <sup>②</sup> | 52 – 76 mA              |
| Leakage current (at 230 V, 50 Hz, full load) <sup>①</sup> ⊗            | < 650 µA                |
| Max. input power   | 82,5 W                  |
| Typ. efficiency (at 230 V / 50 Hz / full load) <sup>③</sup>            | 92 %                    |
| λ (at 230 V, 50 Hz, full load) <sup>④</sup>                            | 0.98                    |
| Typ. power input on stand-by <sup>⑤</sup>                              | < 0.16 W                |
| Typ. input current in no-load operation                                | 36 mA                   |
| Typ. input power in no-load operation                                  | 0.42 W                  |
| In-rush current (peak / duration)                                      | 40 A / 178 µs           |
| THD (at 230 V, 50 Hz, full load) <sup>⑥</sup>                          | < 5.6 %                 |
| Time to light (at 230 V, 50 Hz, full load) <sup>⑦</sup>                | < 0.6 s                 |
| Time to light (DC mode)  | < 0.3 s                 |
| Switchover time (AC/DC)  | < 0.3 s                 |
| Turn off time (at 230 V, 50 Hz, full load)                             | < 20 ms                 |
| Output current tolerance <sup>⑧</sup> ⊗                                | ± 3 %                   |
| Max. output current peak (non-repetitive)                              | ≤ output current + 40 % |
| Output LF current ripple (< 120 Hz)                                    | ± 2.5 %                 |
| Max. output voltage (no-load voltage)                                  | 250 V                   |
| Dimming range  | 1 – 100 %               |
| Mains surge capability (between L – N)                                 | 1 kV                    |
| Mains surge capability (between L/N – PE)                              | 2 kV                    |
| Surge voltage at output side (against PE)                              | < 500 V                 |
| Dimensions L x W x H   | 360 x 30 x 21 mm        |



#### Ordering data

| Type                              | Article number | Packaging carton | Packaging pallet | Weight per pc. |
|-----------------------------------|----------------|------------------|------------------|----------------|
| LCA 75W 350-1050mA one4all Ip PRE | 28000659       | 10 pc(s).        | 760 pc(s).       | 0.295 kg       |

#### Specific technical data

| Type | Output current <sup>⑨</sup> ⊗ | Min. forward voltage | Max. forward voltage | Max. output power | Typ. power consumption (at 230 V, 50 Hz, full load) | Typ. current consumption (at 230 V, 50 Hz, full load) | Max. casing temperature tc | Ambient temperature ta | I-select 2 resistor value <sup>⓪</sup> |
|------|-------------------------------|----------------------|----------------------|-------------------|---|---|----------------------------|------------------------|--|
|      | 350 mA                        | 40 V                 | 110.0 V              | 38.5 W            | 44.8 W  | 205 mA  | 75 °C                      | -25 ... +50 °C         | open                                   |
|      | 400 mA                        | 40 V                 | 110.0 V              | 44.0 W            | 50.2 W  | 228 mA  | 80 °C                      | -25 ... +50 °C         | 12.50 kΩ                               |
|      | 450 mA                        | 40 V                 | 110.0 V              | 49.5 W            | 55.6 W  | 251 mA  | 80 °C                      | -25 ... +50 °C         | 11.11 kΩ                               |
|      | 500 mA                        | 40 V                 | 110.0 V              | 55.0 W            | 61.0 W  | 274 mA  | 80 °C                      | -25 ... +50 °C         | 10.00 kΩ                               |
|      | 550 mA                        | 40 V                 | 110.0 V              | 60.5 W            | 66.3 W  | 296 mA  | 80 °C                      | -25 ... +50 °C         | 9.09 kΩ                                |
|      | 600 mA                        | 40 V                 | 110.0 V              | 66.0 W            | 71.7 W  | 319 mA  | 80 °C                      | -25 ... +50 °C         | 8.33 kΩ                                |
|      | 650 mA                        | 40 V                 | 110.0 V              | 71.5 W            | 77.1 W  | 342 mA  | 80 °C                      | -25 ... +50 °C         | 7.69 kΩ                                |
|      | 700 mA                        | 40 V                 | 107.0 V              | 75.0 W            | 82.5 W  | 365 mA  | 80 °C                      | -25 ... +50 °C         | 7.14 kΩ                                |
|      | 750 mA                        | 40 V                 | 100.0 V              | 75.0 W            | 82.4 W  | 364 mA  | 80 °C                      | -25 ... +50 °C         | 6.67 kΩ                                |
|      | 800 mA                        | 40 V                 | 93.8 V               | 75.0 W            | 82.3 W  | 364 mA  | 80 °C                      | -25 ... +50 °C         | 6.25 kΩ                                |
|      | 850 mA                        | 40 V                 | 88.2 V               | 75.0 W            | 82.2 W  | 363 mA  | 75 °C                      | -25 ... +50 °C         | 5.88 kΩ                                |
|      | 900 mA                        | 40 V                 | 83.3 V               | 75.0 W            | 82.1 W  | 363 mA  | 75 °C                      | -25 ... +50 °C         | 5.56 kΩ                                |
|      | 950 mA                        | 40 V                 | 78.9 V               | 75.0 W            | 82.0 W  | 362 mA  | 75 °C                      | -25 ... +50 °C         | 5.26 kΩ                                |
|      | 1,000 mA                      | 40 V                 | 75.0 V               | 75.0 W            | 81.8 W  | 362 mA  | 75 °C                      | -25 ... +50 °C         | 5.00 kΩ                                |
|      | 1,050 mA                      | 40 V                 | 71.4 V               | 75.0 W            | 82.0 W  | 361 mA  | 75 °C                      | -25 ... +50 °C         | short circuit (0 Ω)                    |

① Valid at 100 % dimming level.

② Depending on the selected output current.

③ Depending on the DALI traffic at the interface.

④ The table only lists a number of possible operating points but does not cover each single point. The output current can be set within the total value range in 1-mA-steps.

⑤ Not compatible with I-select (Generation 1).

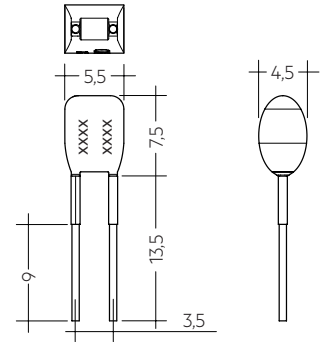
⑥ Output current is mean value.

### Product description

- Ready-for-use resistor to set output current value
- Compatible with LED Driver featuring I-select 2 interface; not compatible with I-select (generation 1)
- Resistor is base isolated
- Resistor power 0.25 W
- Current tolerance  $\pm 2\%$  additional to output current tolerance
- Compatible with LED Driver series PRE and EXC

### Example of calculation

- $R [k\Omega] = 5 V / I_{out} [mA] \times 1000$
- Resistor value tolerance  $\leq 1\%$ ; resistor power  $\geq 0.1 W$ ; base isolation necessary
- When using a resistor value beyond the specified range, the output current will automatically be set to the minimum value (resistor value too big), respectively to the maximum value (resistor value too small)



### Ordering data

| Type                      | Article number | Colour | Marking | Current | Resistor value   | Packaging bag | Weight per pc. |
|---------------------------|----------------|--------|---------|---------|------------------|---------------|----------------|
| I-SELECT 2 PLUG 350MA BL  | 28001110       | Blue   | 0350 mA | 350 mA  | 14.29 k $\Omega$ | 10 pc(s).     | 0.001 kg       |
| I-SELECT 2 PLUG 375MA BL  | 28001111       | Blue   | 0375 mA | 375 mA  | 13.33 k $\Omega$ | 10 pc(s).     | 0.001 kg       |
| I-SELECT 2 PLUG 400MA BL  | 28001112       | Blue   | 0400 mA | 400 mA  | 12.50 k $\Omega$ | 10 pc(s).     | 0.001 kg       |
| I-SELECT 2 PLUG 425MA BL  | 28001251       | Blue   | 0425 mA | 425 mA  | 11.76 k $\Omega$ | 10 pc(s).     | 0.001 kg       |
| I-SELECT 2 PLUG 450MA BL  | 28001113       | Blue   | 0450 mA | 450 mA  | 11.11 k $\Omega$ | 10 pc(s).     | 0.001 kg       |
| I-SELECT 2 PLUG 475MA BL  | 28001252       | Blue   | 0475 mA | 475 mA  | 10.53 k $\Omega$ | 10 pc(s).     | 0.001 kg       |
| I-SELECT 2 PLUG 500MA BL  | 28001114       | Blue   | 0500 mA | 500 mA  | 10.00 k $\Omega$ | 10 pc(s).     | 0.001 kg       |
| I-SELECT 2 PLUG 525MA BL  | 28001960       | Blue   | 0525 mA | 525 mA  | 9.52 k $\Omega$  | 10 pc(s).     | 0.001 kg       |
| I-SELECT 2 PLUG 550MA BL  | 28001115       | Blue   | 0550 mA | 550 mA  | 9.09 k $\Omega$  | 10 pc(s).     | 0.001 kg       |
| I-SELECT 2 PLUG 600MA BL  | 28001116       | Blue   | 0600 mA | 600 mA  | 8.33 k $\Omega$  | 10 pc(s).     | 0.001 kg       |
| I-SELECT 2 PLUG 650MA BL  | 28001117       | Blue   | 0650 mA | 650 mA  | 7.69 k $\Omega$  | 10 pc(s).     | 0.001 kg       |
| I-SELECT 2 PLUG 700MA BL  | 28001118       | Blue   | 0700 mA | 700 mA  | 7.14 k $\Omega$  | 10 pc(s).     | 0.001 kg       |
| I-SELECT 2 PLUG 750MA BL  | 28001119       | Blue   | 0750 mA | 750 mA  | 6.67 k $\Omega$  | 10 pc(s).     | 0.001 kg       |
| I-SELECT 2 PLUG 800MA BL  | 28001120       | Blue   | 0800 mA | 800 mA  | 6.25 k $\Omega$  | 10 pc(s).     | 0.001 kg       |
| I-SELECT 2 PLUG 850MA BL  | 28001121       | Blue   | 0850 mA | 850 mA  | 5.88 k $\Omega$  | 10 pc(s).     | 0.001 kg       |
| I-SELECT 2 PLUG 900MA BL  | 28001122       | Blue   | 0900 mA | 900 mA  | 5.56 k $\Omega$  | 10 pc(s).     | 0.001 kg       |
| I-SELECT 2 PLUG 950MA BL  | 28001123       | Blue   | 0950 mA | 950 mA  | 5.26 k $\Omega$  | 10 pc(s).     | 0.001 kg       |
| I-SELECT 2 PLUG 1000MA BL | 28001124       | Blue   | 1000 mA | 1000 mA | 5.00 k $\Omega$  | 10 pc(s).     | 0.001 kg       |
| I-SELECT 2 PLUG 1050MA BL | 28001125       | Blue   | 1050 mA | 1050 mA | 4.76 k $\Omega$  | 10 pc(s).     | 0.001 kg       |
| I-SELECT 2 PLUG MAX BL    | 28001099       | Blue   | MAX     | MAX     | 0.00 k $\Omega$  | 10 pc(s).     | 0.001 kg       |

## 1. Standards

EN 55015  
 EN 61000-3-2  
 EN 61000-3-3  
 EN 61347-1  
 EN 61347-2-13  
 EN 62384  
 EN 61547  
 EN 62386-101 (DALI-2)  
 EN 62386-102 (DALI-2)  
 EN 62386-207 (DALI-2)  
 According to EN 50172 for use in central battery systems  
 According to EN 60598-2-22 suitable for emergency lighting installations

## 2. Thermal details and life-time

### 2.1 Expected life-time

| Expected life-time                       |                |           |             |             |             |
|--|----------------|-----------|-------------|-------------|-------------|
| Type                                     | Output current | ta        | 40 °C       | 45 °C       | 50 °C       |
|  | 350 mA         | tc        | 68 °C       | 72 °C       | 75 °C       |
|  |                | Life-time | > 100,000 h | > 100,000 h | > 100,000 h |
| <b>LCA 75W 350-1050mA one4all Ip PRE</b> | >350 – 550 mA  | tc        | 72 °C       | 76 °C       | 80 °C       |
|  |                | Life-time | > 100,000 h | > 100,000 h | > 100,000 h |
|  | >550 – 800 mA  | tc        | 73 °C       | 76 °C       | 80 °C       |
|  |                | Life-time | > 100,000 h | > 100,000 h | > 100,000 h |
|  | >800 – 1050 mA | tc        | 66 °C       | 70 °C       | 75 °C       |
|  |                | Life-time | > 100,000 h | > 100,000 h | > 100,000 h |

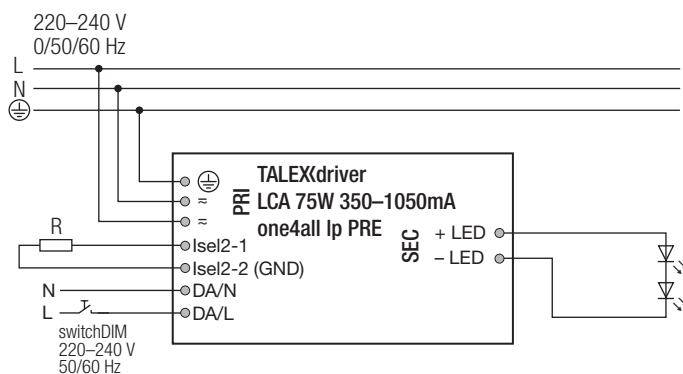
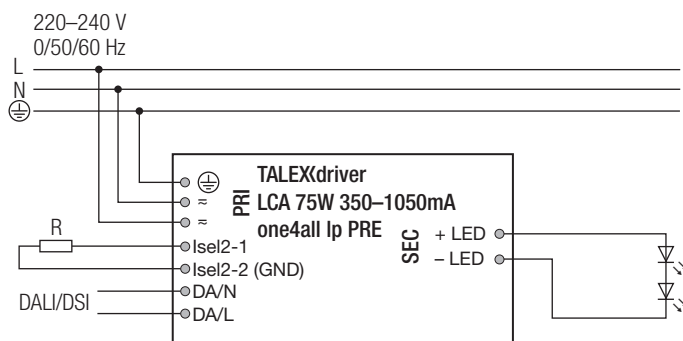
The LED Driver is designed for a life-time stated above under reference conditions and with a failure probability of less than 10 %.

The relation of tc to ta temperature depends also on the luminaire design.

If the measured tc temperature is approx. 5 K below tc max., ta temperature should be checked and eventually critical components (e.g. ELCAP) measured. Detailed information on request.

## 3. Installation / wiring

### 3.1 Circuit diagram



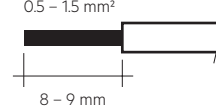
For wiring in dimming operation with ready2mains refer to the ready2mains Gateway datasheet.

### 3.2 Wiring type and cross section

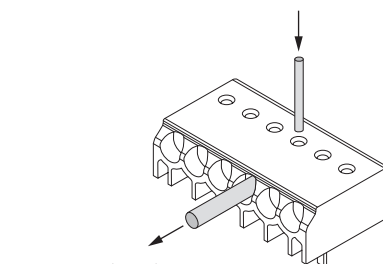
Solid wire with a cross section of 0.5 – 1.5 mm<sup>2</sup>. Strip 8 – 9 mm of insulation from the cables to ensure perfect operation of terminals.

LED module/LED Driver/supply

wire preparation:  
0.5 – 1.5 mm<sup>2</sup>



### 3.3 Loose wiring



Loosen wire through twisting and pulling or using a Ø 1mm release tool

**3.4 Wiring guidelines**

- The cables should be run separately from the mains connections and mains cables to ensure good EMC conditions.
- The LED wiring should be kept as short as possible to ensure good EMC. The max. secondary cable length is 2 m (4 m circuit), this applies for LED output as well as for I-select 2.
- Secondary switching is not permitted.
- The LED Driver has no inverse-polarity protection on the secondary side. Wrong polarity can damage LED modules with no inverse-polarity protection.
- Wrong wiring of the LED Driver can lead to malfunction or irreparable damage.
- To avoid the damage of the Driver, the wiring must be protected against short circuits to earth (sharp edged metal parts, metal cable clips, louver, etc.).

**3.5 Hot plug-in**

Hot plug-in is not supported due to residual output voltage of > 0 V. If a LED load is connected the device has to be restarted before the output will be activated again. This can be done via mains reset or via interface (DALI, DSI, switchDIM, ready2mains).

**3.6 Earth connection**

The earth connection is conducted as protection earth (PE). The LED Driver can be earthed via earth terminal or metal housing. If the LED Driver will be earthed, protection earth (PE) has to be used. There is no earth connection required for the functionality of the LED Driver. Earth connection is recommended to improve following behaviour:

- Electromagnetic interferences (EMI)
- LED glowing at stand-by
- Transmission of mains transients to the LED output

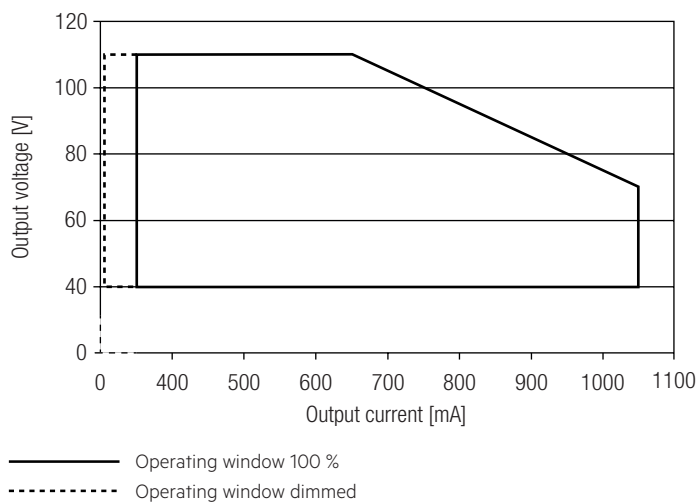
In general it is recommended to earth the LED Driver if the LED module is mounted on earthed luminaire parts respectively heat sinks and thereby representing a high capacity against earth.

**3.7 I-select 2 resistors connected via cable**

For details see: [http://www.tridonic.com/com/en/download/technical/LCA\\_PRE\\_LC\\_EXC\\_ProductManual\\_en.pdf](http://www.tridonic.com/com/en/download/technical/LCA_PRE_LC_EXC_ProductManual_en.pdf).

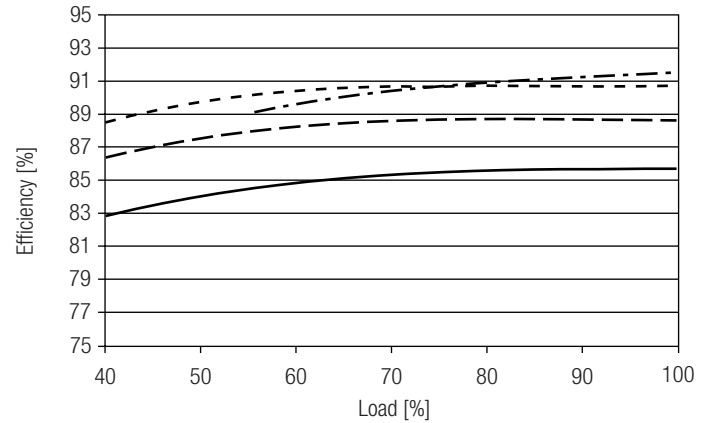
**4. Electrical values**

**4.1 Operating window**

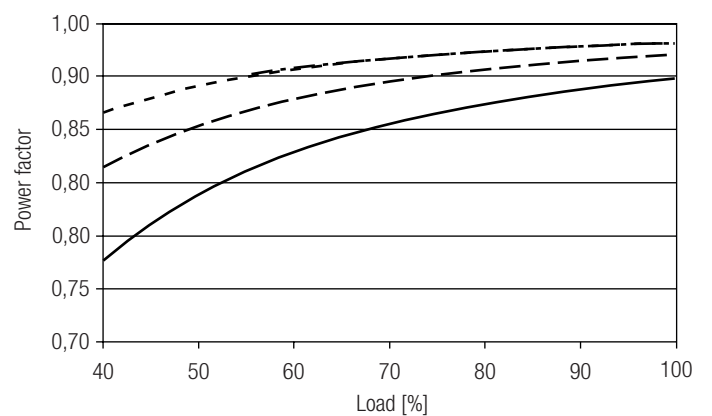


Make sure that the LED Driver is operated within the given window under all operating conditions. Special attention needs to be paid at dimming and DC emergency operation as the forward voltage of the connected LED modules varies with the dimming level, due to the implemented amplitude dimming technology. Coming below the specified minimum output voltage of the LED Driver may cause the device to shut-down. See chapter "6.11 Light level in DC operation" for more information.

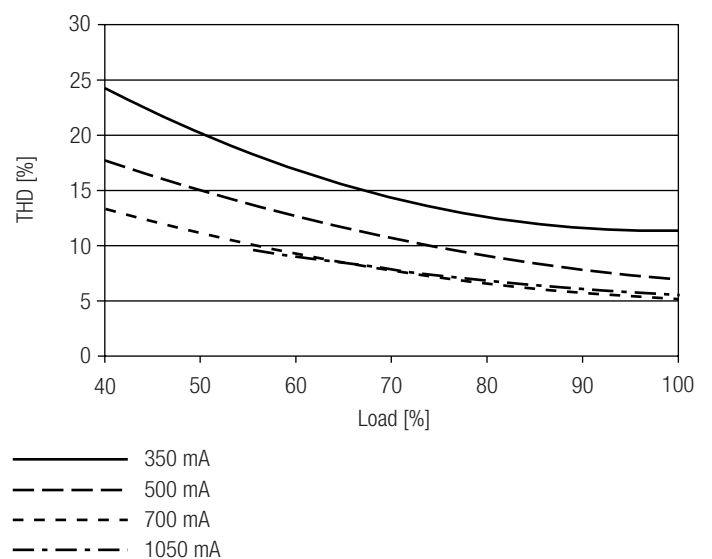
**4.2 Efficiency vs load**



**4.3 Power factor vs load**



**4.4 THD vs load**



100 % load corresponds to the max. output power (full load) according to the table on page 2.

#### 4.5 Maximum loading of automatic circuit breakers

| Automatic circuit breaker type           | C10                 | C13                 | C16                 | C20               | B10                 | B13                 | B16                 | B20               | Inrush current |             |
|--|---------------------|---------------------|---------------------|-------------------|---------------------|---------------------|---------------------|-------------------|----------------|-------------|
| Installation $\varnothing$               | 1.5 mm <sup>2</sup> | 1.5 mm <sup>2</sup> | 2.5 mm <sup>2</sup> | 4 mm <sup>2</sup> | 1.5 mm <sup>2</sup> | 1.5 mm <sup>2</sup> | 2.5 mm <sup>2</sup> | 4 mm <sup>2</sup> | $I_{max}$      | time        |
| <b>LCA 75W 350-1050mA one4all Ip PRE</b> | 15                  | 20                  | 23                  | 30                | 9                   | 12                  | 14                  | 18                | 40 A           | 178 $\mu$ s |

Calculation uses typical values from ABB series S200 as a reference.  
Actual values may differ due to used circuit breaker types and installation environment.

#### 4.6 Harmonic distortion in the mains supply (at 230 V / 50 Hz and full load) in %

|  | THD | 3.  | 5.  | 7.  | 9.  | 11. |
|--|-----|-----|-----|-----|-----|-----|
| <b>LCA 75W 350-1050mA one4all Ip PRE</b> | < 5 | < 4 | < 2 | < 1 | < 1 | < 1 |

#### 4.7 Dimming

Dimming range 1% to 100 %

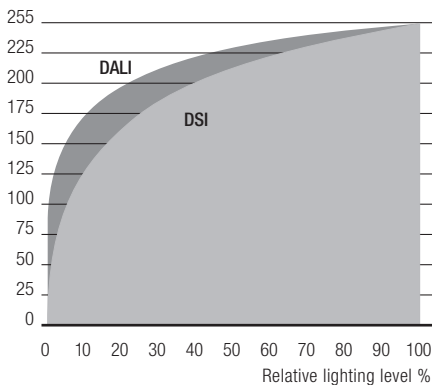
Digital control with:

- DSI signal: 8 bit Manchester Code  
Speed 1% to 100% in 1.4 s
- DALI signal: 16 bit Manchester Code  
Speed 1% to 100% in 0.2 s  
Programmable parameter:  
Minimum dimming level  
Maximum dimming level  
Default minimum = 1%  
Programmable range 1%  $\leq$  MIN  $\leq$  100%  
Default maximum = 100%  
Programmable range 100%  $\geq$  MAX  $\geq$  1%

Dimming curve is adapted to the eye sensitiveness.  
Dimming is realized by amplitude dimming.

#### 4.8 Dimming characteristics

Digital dimming value



Dimming characteristics as seen by the human eye

### 5. Interfaces / communication

#### 5.1 Control input (DA/N, DA/L)

Digital DALI signal or switchDIM can be wired on the same terminals (DA/N and DA/L).

The control input is non-polar for digital control signals (DALI, DSI). The control signal is not SELV. Control cable has to be installed in accordance to the requirements of low voltage installations. Different functions depending on each module.

#### 5.2 Control input ready2mains (L, N)

The digital ready2mains protocol is modulated onto the mains signal which is wired to the mains terminal (L and N).

#### 5.3 switchDIM

Integrated switchDIM function allows a direct connection of a pushbutton for dimming and switching.

Brief push (< 0.6 s) switches LED Driver ON and OFF.

The dimm level is saved at power-down and restored at power-up.

When the pushbutton is held, LED modules are dimmed.

After repush the LED modules are dimmed in the opposite direction.

In installations with LED Drivers with different dimming levels or opposite dimming directions (e.g. after a system extension), all LED Drivers can be synchronized to 50% dimming level by a 10 s push.

Use of pushbutton with indicator lamp is not permitted.

### 6. Functions

#### 6.1 Function: adjustable current

The output current of the LED Driver can be adjusted in a certain range. For adjustment there are three options available.

Option 1: DALI

Adjustment is done by masterCONFIGURATOR (see masterCONFIGURATOR documentation).

Option 2: I-select 2

By inserting a suitable resistor into the I-select 2 interface, the current value can be adjusted. The relationship between output current and resistor value can be found in the chapter "Accessories I-SELECT 2 Plugs".



Please note that the resistor values for I-select 2 are not compatible with I-select (generation 1). Installation of an incorrect resistor may cause irreparable damage to the LED module(s).

Resistors for the main output current values can be ordered from Tridonic (see accessories).

Option 3: ready2mains

Adjustment is done by the ready2mains programmer and the corresponding configuration software (see ready2mains documentation).

The priority for current adjustment methods is DALI (highest priority), I-select 2, ready2mains (lowest priority).

## 6.2 ready2mains – configuration

The ready2mains interface can be used to configure the main parameters of LED Drivers via the mains wiring, such as LED output current, CLO and DC level. These parameters can be adjusted either via ready2mains-capable configuration software or directly via the ready2mains programmer (output current only).

## 6.3 ready2mains – dimming

ready2mains allows for mains-based group dimming, controlled via the ready2mains protocol and appropriate dimming interfaces.

For details on the operation of ready2mains and its components see the relevant technical information.

## 6.4 Short-circuit behaviour

In case of a short-circuit at the LED output the LED output is switched off. After restart of the LED Driver the output will be activated again. The restart can either be done via mains reset or via interface (DALI, DSI, switchDIM, ready2mains).

## 6.5 No-load operation

The LED Driver will not be damaged in no-load operation. The output will be deactivated and is therefore free of voltage. If a LED load is connected the device has to be restarted before the output will be activated again.

## 6.6 Overload protection

If the output voltage range is exceeded the LED Driver turns off the LED output. After restart of the LED Driver the output will be activated again. The restart can either be done via mains reset or via interface (DALI, DSI, switchDIM, ready2mains).

## 6.7 Overtemperature protection

The LED Driver is protected against temporary thermal overheating. If the temperature limit is exceeded the output current of the LED module(s) is reduced. The temperature protection is activated approx. +5 °C above  $t_c$  max (see page 2). On DC operation this function is deactivated to fulfill emergency requirements.

## 6.8 corridorFUNCTION

The corridorFUNCTION can be programmed in two different ways. To program the corridorFUNCTION by means of software a DALI-USB interface is needed in combination with a DALI PS. The software can be the masterCONFIGURATOR. To activate the corridorFUNCTION without using software a voltage of 230 V has to be applied for five minutes at the switchDIM connection. The unit will then switch automatically to the corridorFUNCTION.

Note:

If the corridorFUNCTION is wrongly activated in a switchDIM system (for example a switch is used instead of pushbutton), there is the option of installing a pushbutton and deactivating the corridorFUNCTION mode by five short pushes of the button within three seconds.

switchDIM and corridorFUNCTION are very simple tools for controlling gears with conventional pushbuttons or motion sensors.

To ensure correct operation a sinusoidal mains voltage with a frequency of 50 Hz or 60 Hz is required at the control input.

Special attention must be paid to achieving clear zero crossings. Serious mains faults may impair the operation of switchDIM and corridorFUNCTION.

## 6.9 Constant light output (CLO)

The luminous flux of a LED decreases constantly over the life-time. The CLO function ensures that the emitted luminous flux remains stable. For that purpose the LED current will increase continuously over the LED life-time. In masterCONFIGURATOR it is possible to select a start value (in percent) and an expected life-time. The LED Driver adjusts the current afterwards automatically.

## 6.10 Power-up/-down fading

The power-up/-down function offers the opportunity to modify the on-/off behavior. The time for fading on or off can be adjusted in a range of 0.2 to 16 seconds. According to this value, the device dims either from 0 % up to the power-on level or from the current set dim level down to 0 %.

This feature applies while operating via switchDIM, ready2mains and when switching the mains voltage on or off. By factory default no fading time is set (= 0 seconds).

## 6.11 Light level in DC operation

The LED Driver is designed to operate on DC voltage and pulsed DC voltage. For a reliable operation, make sure that also in DC emergency operation the LED Driver is run within the specified conditions as stated in chapter "4.1 operating window".

Light output level in DC operation: programmable 1 – 100 % (EOF<sub>i</sub> = 0.13). Programming by DALI or ready2mains.

In DC operation dimming mode can be activated.

The voltage-dependent input current of Driver incl. LED module is depending on the used load.

The voltage-dependent no-load current of Driver (without or defect LED module) is for:

AC: < 36.4 mA

DC: < 3.2 mA

## 6.12 Software / programming

With appropriate software and an interface different functions can be activated and various parameters can be configured in the LED Driver. To do so, a DALI-USB or ready2mains programmer and the software (masterCONFIGURATOR) are required.

## 6.13 masterCONFIGURATOR

From version 2.8:

For programming functions (CLO, I-select 2, power-up fading, corridorFUNCTION) and device settings (fade time, ePowerOnLevel, DC level, etc.). For further information see masterCONFIGURATOR manual.

## 6.14 deviceCONFIGURATOR

PC (windows) based software application to transfer parameters into our drivers.

Workflow optimised for the use in OEM production line.

For further information see deviceCONFIGURATOR manual.

## 7. Miscellaneous

### 7.1 Isolation and electric strength testing of luminaires

Electronic devices can be damaged by high voltage. This has to be considered during the routine testing of the luminaires in production.

According to IEC 60598-1 Annex Q (informative only!) or ENEC 303-Annex A, each luminaire should be submitted to an isolation test with 500 V<sub>DC</sub> for 1 second. This test voltage should be connected between the interconnected phase and neutral terminals and the earth terminal. The isolation resistance must be at least 2 MΩ.

As an alternative, IEC 60598-1 Annex Q describes a test of the electrical strength with 1500 V<sub>AC</sub> (or 1.414 x 1500 V<sub>DC</sub>). To avoid damage to the electronic devices this test must not be conducted.

### 7.2 Conditions of use and storage

Humidity: 5 % up to max. 85 %,  
not condensed  
(max. 56 days/year at 85 %)

Storage temperature: -40 °C up to max. +80 °C

The devices have to be acclimatised to the specified temperature range (ta) before they can be operated.

### 7.3 Additional information

Additional technical information at [www.tridonic.com](http://www.tridonic.com) → Technical Data

Guarantee conditions at [www.tridonic.com](http://www.tridonic.com) → Services

Life-time declarations are informative and represent no warranty claim.  
No warranty if device was opened.