



# MASTERColour CDM MW Eco

## MASTERColour MW eco MASTERColour CDM-T MW eco 360W/842 E40

Ceramic metal halide lamps with clear tubular or coated ellipsoid outer bulb, tailor-made to replace and outperform quartz metal halide lamps on existing gear.

### Product data

General Information	
Cap-Base	E40 [ E40]
Operating Position	P45 [ Parallel +/-45D or Horizontal(HOR)]
Life to 5% Failures (Nom)	12000 h
Life to 10% Failures (Nom)	16000 h
Life to 20% Failures (Nom)	20000 h
Life to 50% Failures (Nom)	30000 h
System Description	Horizontal Operating Position
LSF 2000 h Rated	99 %
LSF 4000 h Rated	99 %
LSF 6000 h Rated	99 %
LSF 8000 h Rated	98 %
LSF 12000 h Rated	95 %
LSF 16000 h Rated	90 %
LSF 20000 h Rated	80 %
LSF 24000 h Rated	70 %
LSF 28000 h Rated	56 %
LSF 30000 h Rated	50 %
Light Technical	
Color Code	842 [ CCT of 4200K]

Luminous Flux (Rated) (Nom)	35270 lm
Color Designation	Cool White (CW)
Chromaticity Coordinate X (Nom)	376
Chromaticity Coordinate Y (Nom)	374
Correlated Color Temperature (Nom)	4200 K
Luminous Efficacy (rated) (Nom)	98 lm/W
Color Rendering Index (Nom)	88
LLMF 2000 h Rated	92 %
LLMF 4000 h Rated	87 %
LLMF 6000 h Rated	84 %
LLMF 8000 h Rated	82 %
LLMF 12000 h Rated	80 %
LLMF 16000 h Rated	77 %
LLMF 20000 h Rated	75 %
Ratio Scotopic/Photopic Lumens	1.74
Operating and Electrical	
Power (Rated) (Nom)	361.0 W
Lamp Current Run-Up (Max)	3.6 A
Lamp Current (EM) (Nom)	3.42 A
Ignition Supply Voltage (Max)	198 V

## MASTERColour CDM MW Eco

Ignition Peak Voltage (Max)	5000 V
Re-Ignition Time (Min) (Max)	900 s
Ignition Time (Max)	30 s
Voltage (Max)	133 V
Voltage (Min)	115 V
Voltage (Nom)	124 V

### Controls and Dimming

Dimmable	No
Run-Up Time 90% (Max)	3 min

### Mechanical and Housing

Bulb Finish	Clear
Bulb Material	Hard Glass

### Approval and Application

Energy Efficiency Label (EEL)	A+
Mercury (Hg) Content (Nom)	51.0 mg
Energy Consumption kWh/1000 h	397 kWh

### UV

Pet (Niosh) (Nom)	8 h/500lx
-------------------	-----------

### Luminaire Design Requirements

Bulb Temperature (Max)	600 °C
Cap-Base Temperature (Max)	250 °C

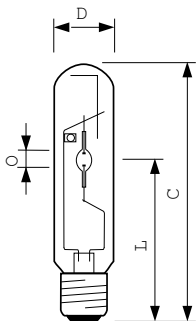
### Product Data

Full product code	871869664610600
Order product name	MASTERColour MW eco MASTERColour CDM-T MW eco 360W/842 E40
EAN/UPC - Product	8718696646106
Order code	928070319230
Numerator - Quantity Per Pack	1
Numerator - Packs per outer box	12
Material Nr. (12NC)	928070319230
Net Weight (Piece)	166.000 g

## Warnings and Safety

- For use with control gear designed for high pressure mercury or high-pressure sodium lamps with external ignitor
- A lamp breaking is extremely unlikely to have an impact on your health. If a lamp breaks, ventilate the room for 30 minutes and remove the parts, preferably with gloves. Put them in a sealed plastic bag and take it to your local waste facilities for recycling. Do not use a vacuum cleaner.
- Warm restart time can be up to 15 minutes; T15 ignitors therefore advised.

## Dimensional drawing

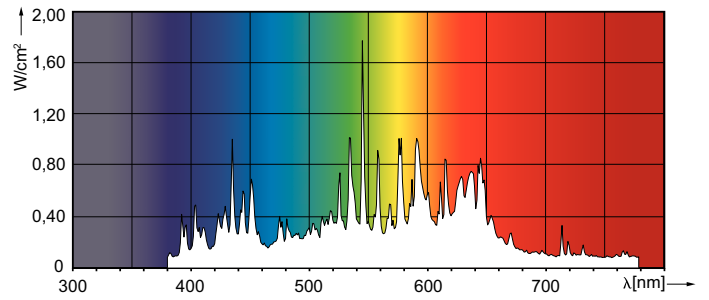
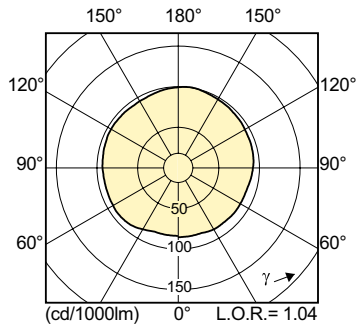


CDM-T MW eco 360W/842 E40

Product	D	O	L	C (max)
MASTERColour MW eco MASTERColour	47 mm	11.9 mm	161 mm	257 mm
CDM-T MW eco 360W/842 E40				

# MASTERColour CDM MW Eco

## Photometric data



## Lifetime

