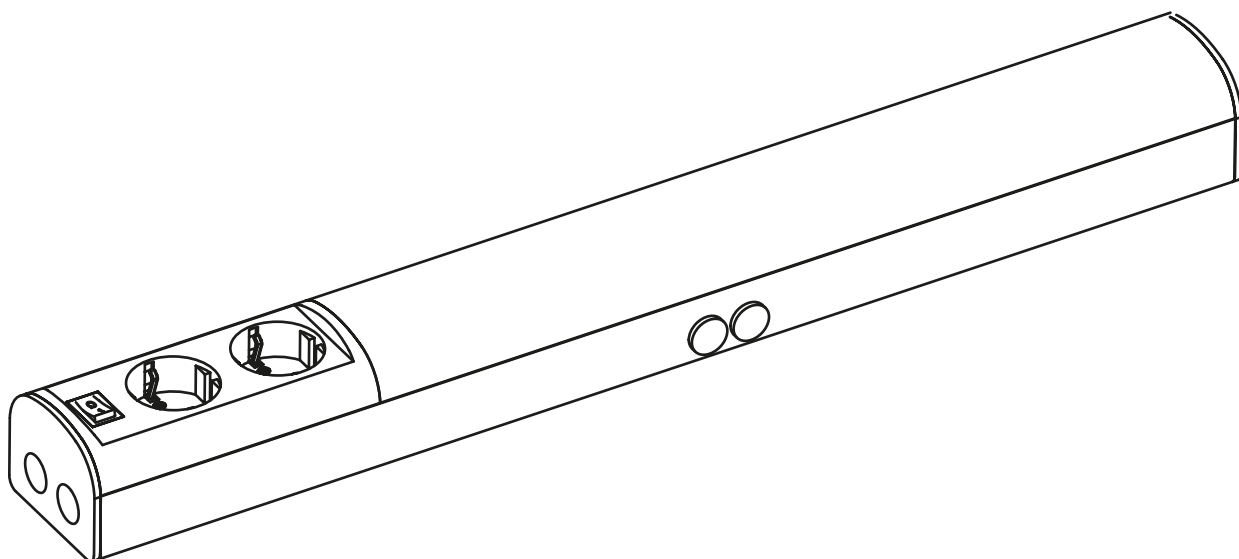


**ART. NO.**  
101331-01-3  
101332-01-3



# Areto

## INSTALLATION MANUAL



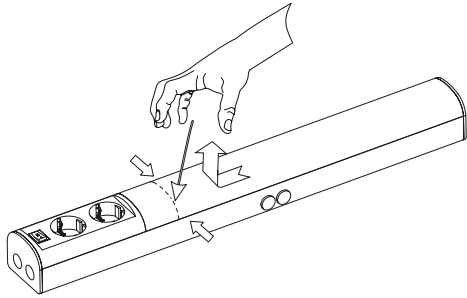
### ⚠ Safety Notes:

- The product must be installed, maintained, and operated as instructions below.
- Before starting installation of this product, make sure power supply is disconnected.
- Only to be installed by authorized electrician.
- Do not use abrasives or solvents when cleaning.
- Do not install the product if it appears damaged in any way. Check with manufacturer if in doubt.
- Do not modify this fitting in any matter as this will void warranty.
- Check protection class, if class I, it must be earthed.
- Disconnect power supply before maintenance or cleaning.

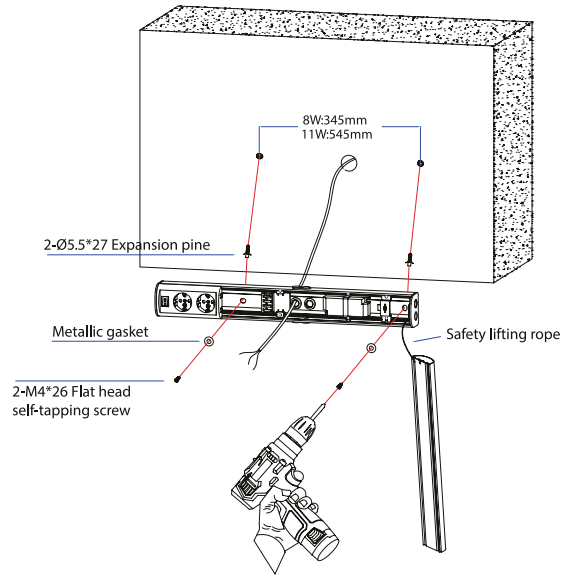
### ⚠ Sikkerhetsinformasjon:

- Følg installasjonsmanual for korrekt montering.
- Koble alltid fra strømmen før montering eller vedlikehold.
- Kan kun monteres av autorisert elektriker.
- Monter ikke produktet hvis det er synlig skade. Kontakt forhandler eller produsent.
- Bruk ikke løsemidler ved rengjøring
- Produktet skal ikke under noen omstendigheter endres eller modifiseres.
- Sjekk produktets isolasjonsklasse. Ved isolasjonsklasse I skal produktet jordes.

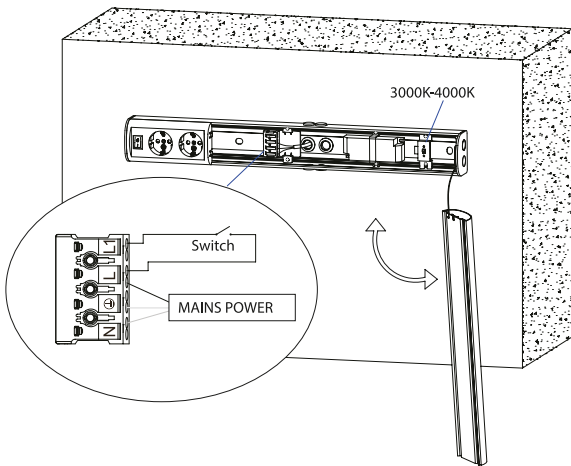
1. Remove the PC cover



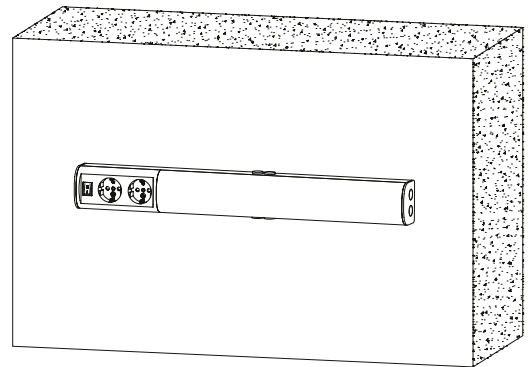
2. First connect the power cable to the junction box, then fix the base to the surface with screws.



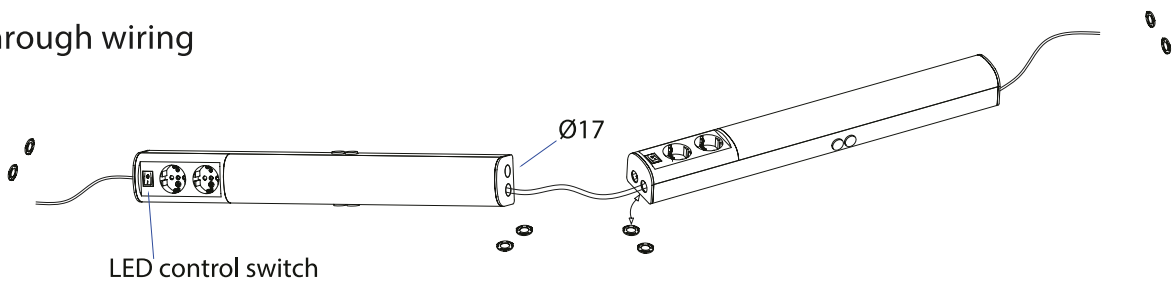
3. Connect the connector, adjust the dip code to the required color temperature, and close the PC cover



4. Installation completed



Through wiring



Please ensure that the power supply is disconnected before installing the lamp in order to prevent electric shock.