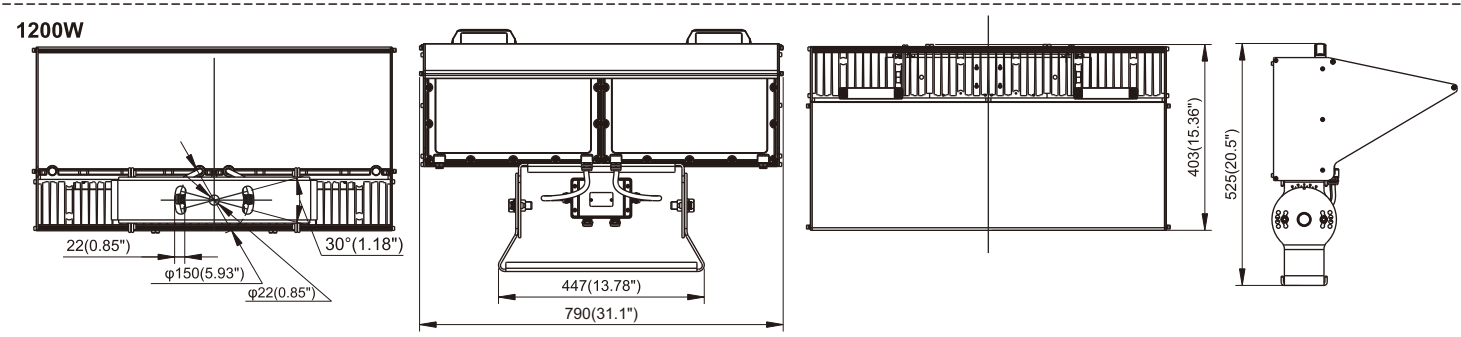
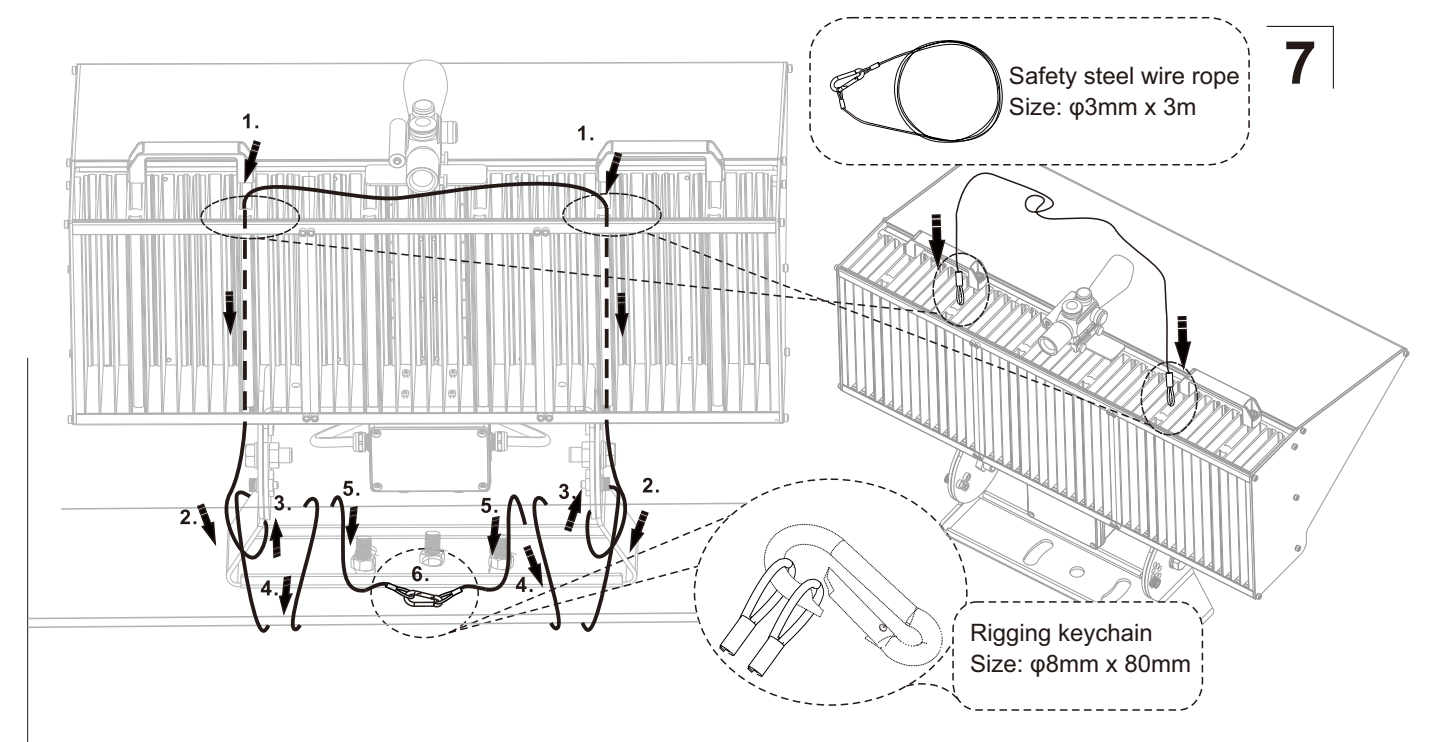
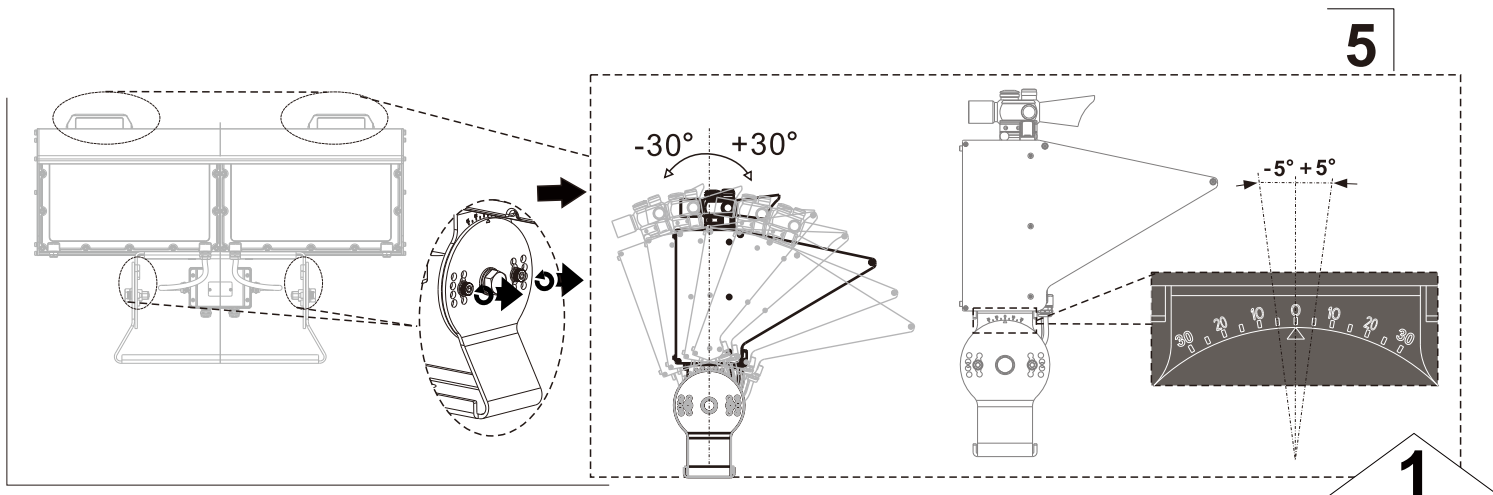
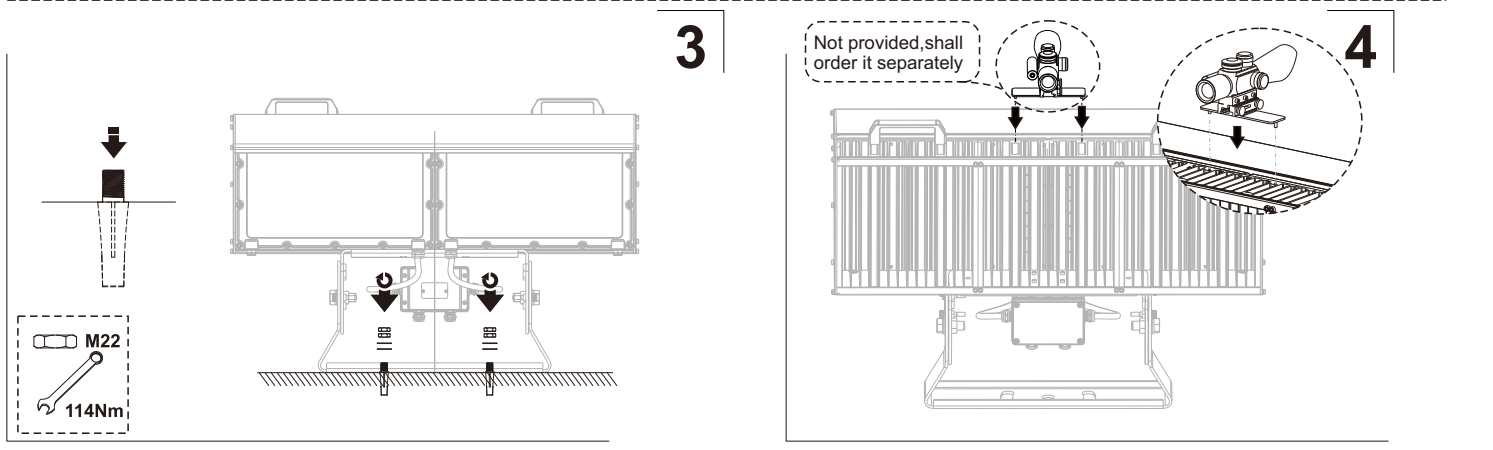
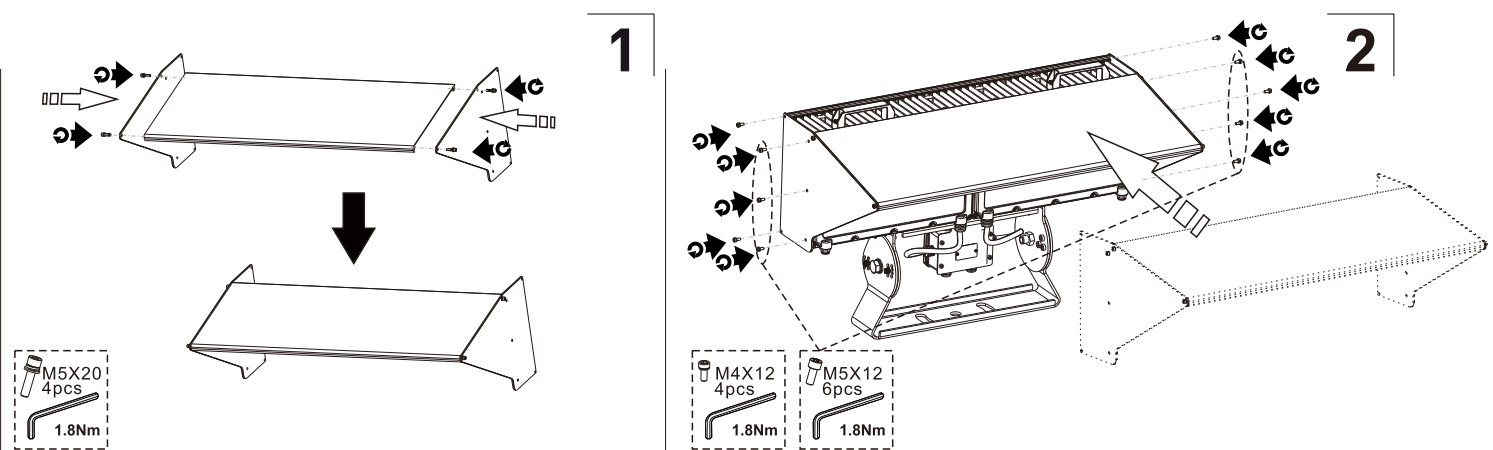
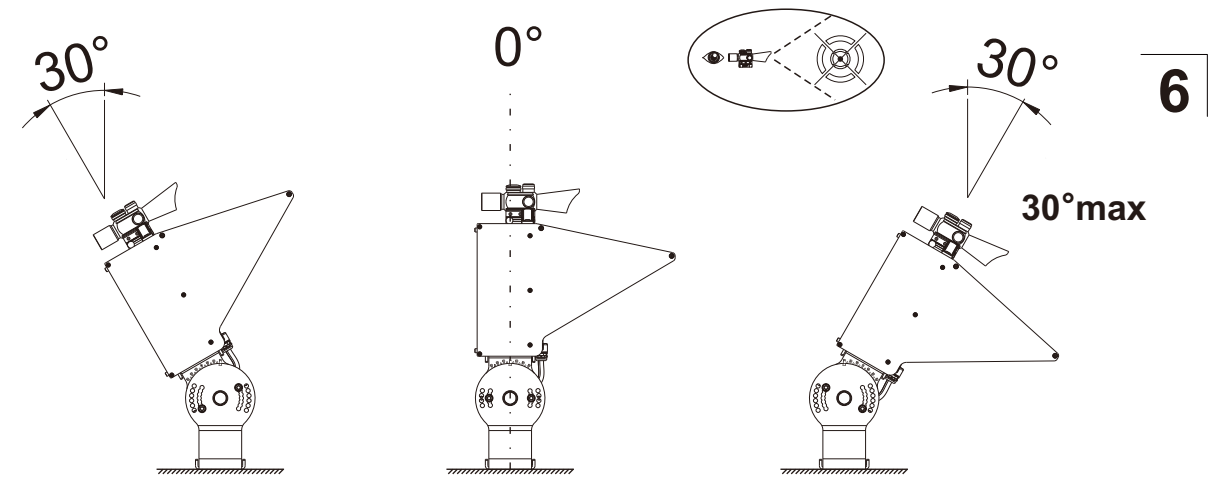
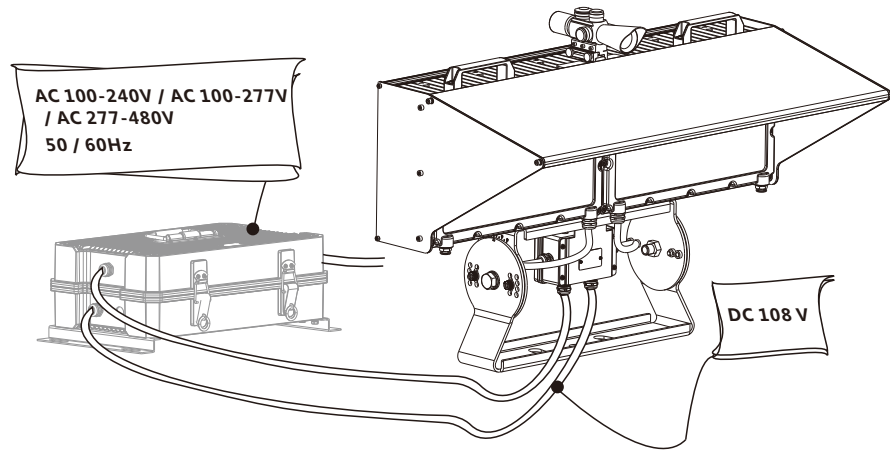


LED Flood Light

Installation Instructions

Packing list	
Luminaire body	1pcs
Visor	1pcs
Baffle	2pcs
Screw M4X12	4pcs
Screw M5X12	6pcs
Sems screw M5X20	4pcs
Safety steel wire rope	1pcs
Rigging keychain	1pcs
Instruction manual	1pcs

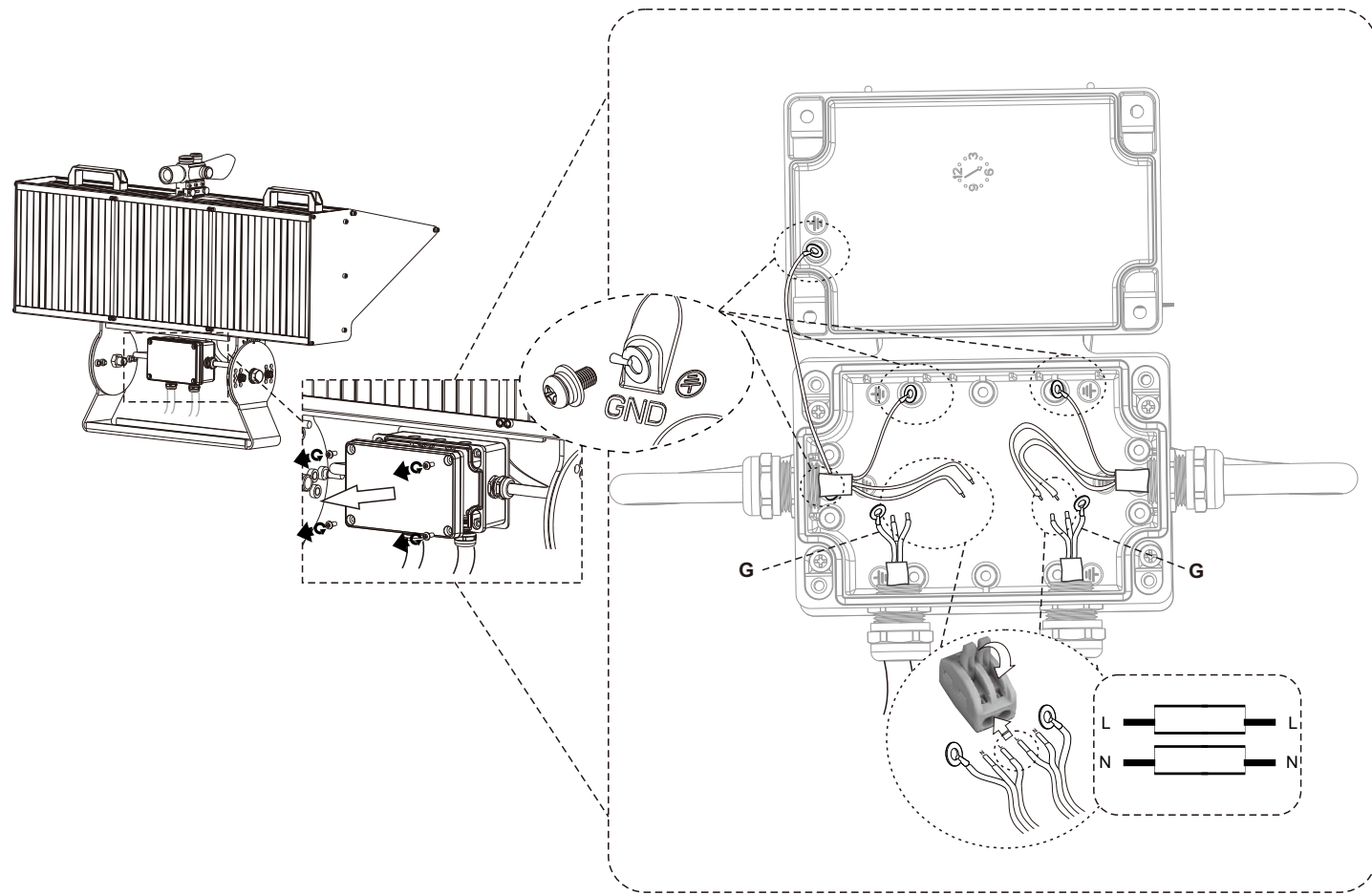
Note: Driver box is packed separately, AC and DC cables are not provided



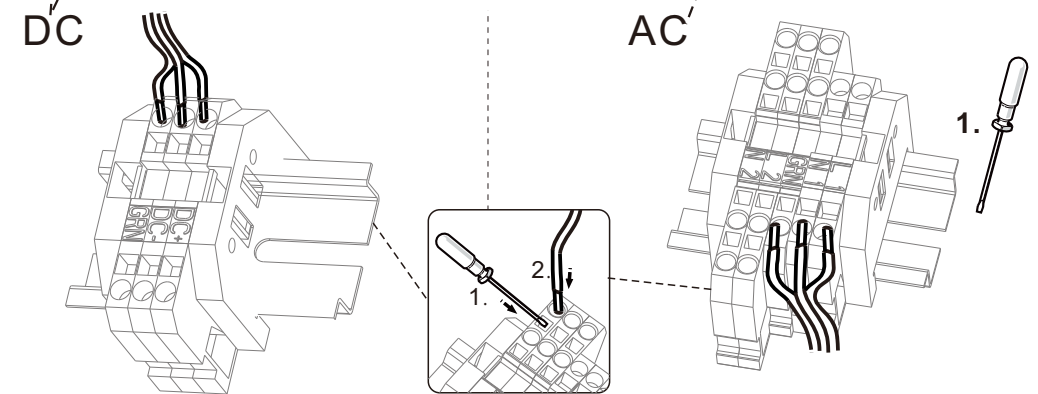
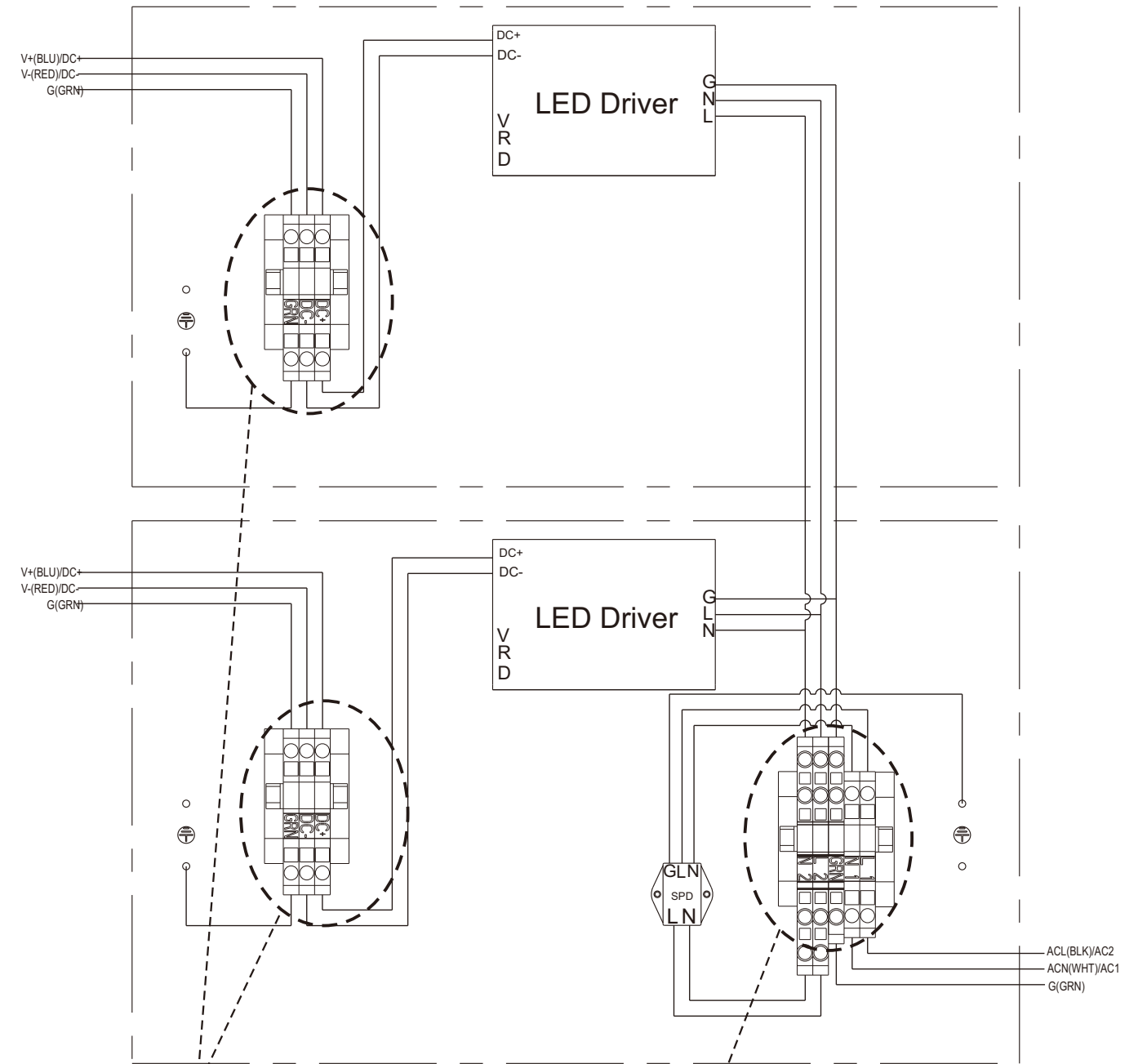
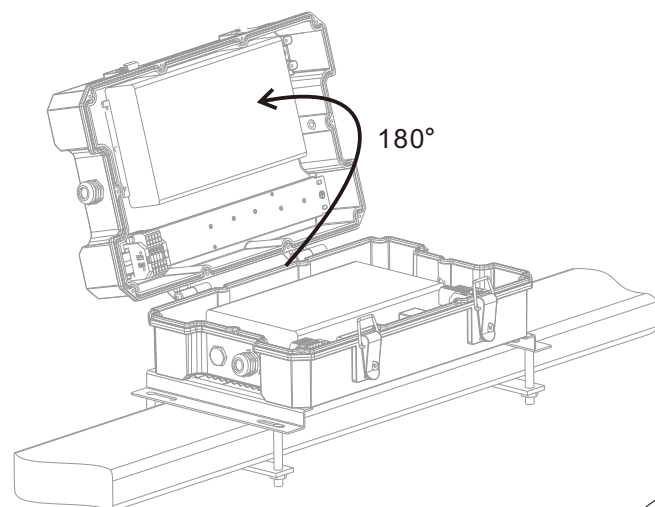
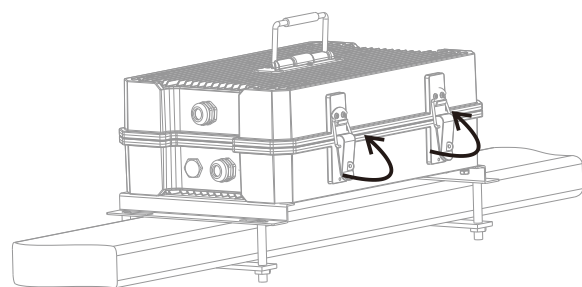
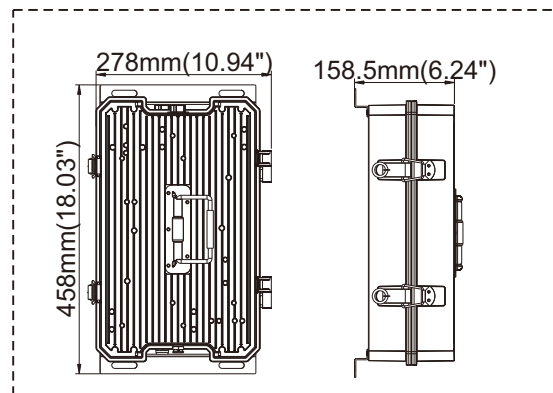
Product Specifications	1200W	Driver BOX(1200W)
Size (L x W x H)	790x403x525mm (31.1"×15.36"×20.5")	458×278×159mm (10.03"×10.94"×6.26")
Weight	28.5±0.3kg (62.83±0.66Lbs)	12.5±0.3kg (27.56±0.66Lbs)
Effective Projected Area (EPA)	4.08ft ²	1.34ft ²
Input Voltage	DC 108 V	AC 100-240V / AC 100-277V / AC 277-480V
Working Temperature	-30°C to +50°C(-22°F to +122°F)	
Storing Temperature	-40°C to +70°C(-40°F to +158°F)	

LED Flood Light

Installation Instructions



Driver BOX



Dimmable	
DIM+ / DA1	blue brown purple white
DIM- / DA2	white blue gray black
Ⓞ GND	yellow/green green

L	brown black
N	blue white
Ⓞ GND	yellow/green green

•if the external flexible cable or cord of this luminaire is damaged, it shall be exclusively replaced by the manufacturer or his service agent or a similar qualified person in order to avoid a hazard.