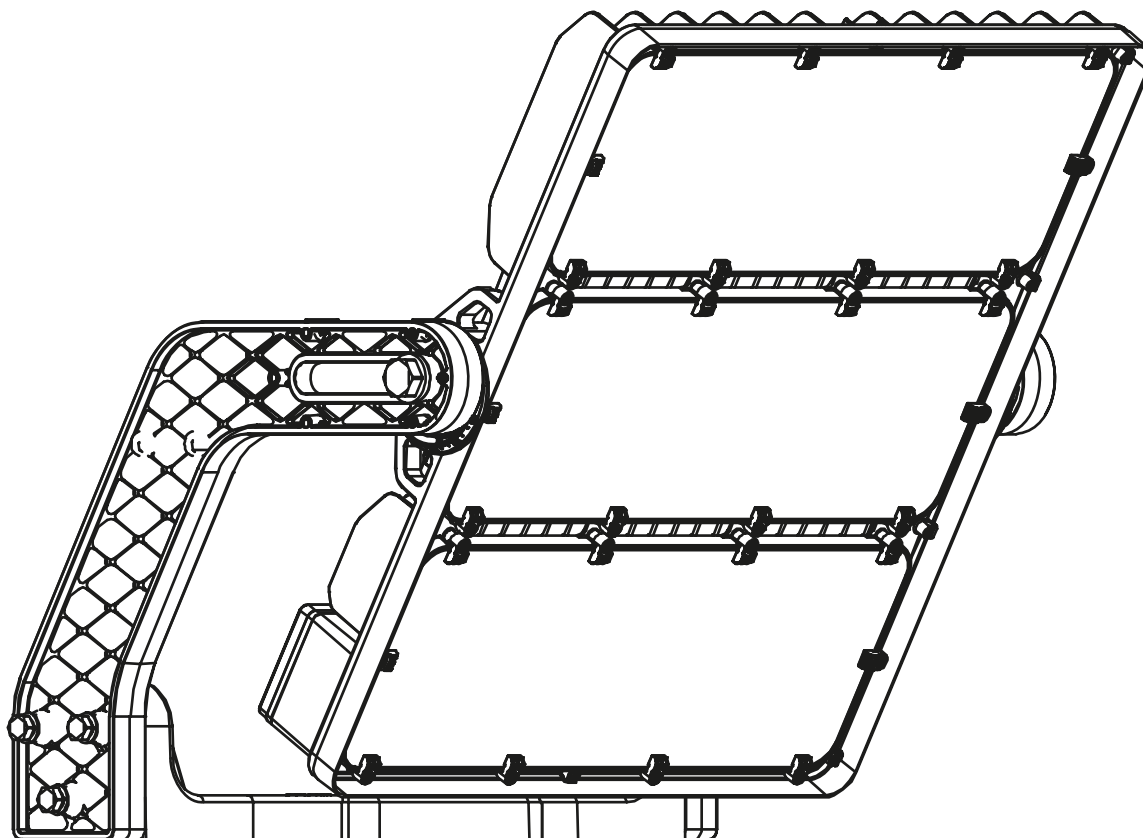


ART. NO.

101313-02-2

101313-04-2

101313-08-2

NORLUX®*Lighting Solutions*

X-Flood

INSTALLATION MANUAL

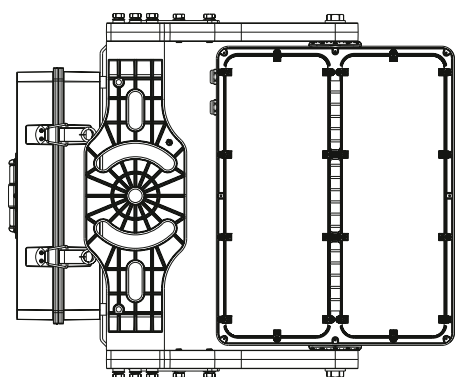
**⚠ Safety Notes:**

- The product must be installed, maintained, and operated as instructions below.
- Before starting installation of this product, make sure power supply is disconnected.
- Only to be installed by authorized electrician.
- Do not use abrasives or solvents when cleaning.
- Do not install the product if it appears damaged in any way. Check with manufacturer if in doubt.
- Do not modify this fitting in any matter as this will void warranty.
- Check protection class, if class I, it must be earthed.
- Disconnect power supply before maintenance or cleaning.

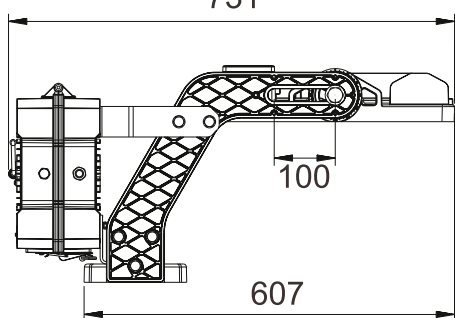
⚠ Sikkerhetsinformasjon:

- Følg installasjonsmanual for korrekt montering.
- Koble alltid fra strømmen før montering eller vedlikehold.
- Kan kun monteres av autorisert elektriker.
- Monter ikke produktet hvis det er synlig skade. Kontakt forhandler eller produsent.
- Bruk ikke løsemidler ved rengjøring
- Produktet skal ikke under noen omstendigheter endres eller modifiseres.
- Sjekk produktets isolasjonsklasse. Ved isolasjonsklasse I skal produktet jordes.

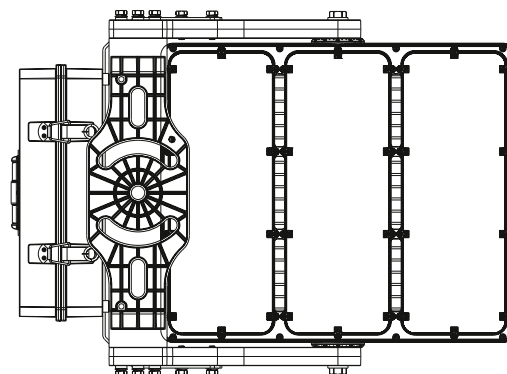
PHYSICAL DIMENSIONS (UNIT: MM)



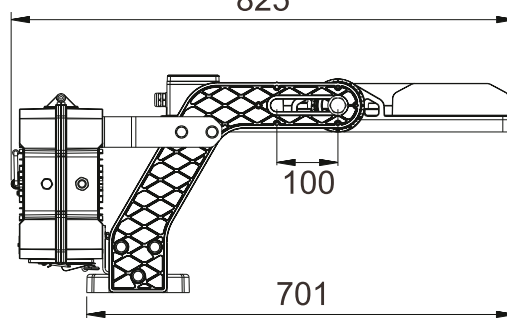
731



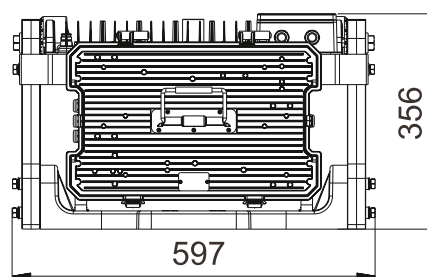
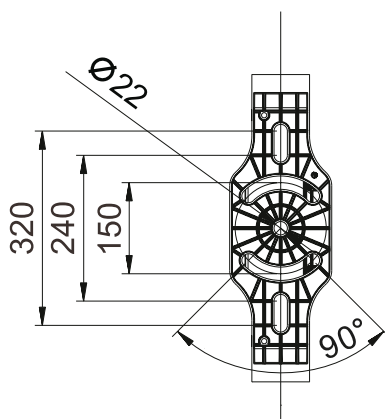
600W/800W



825



1000W/1200W

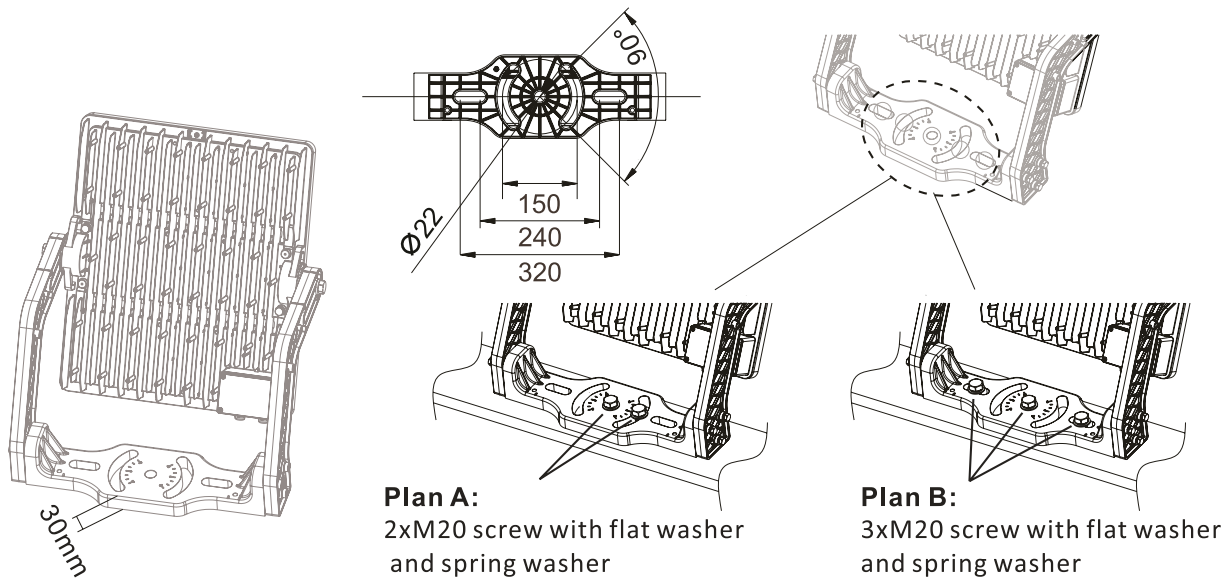


600W/800W/1000W/1200W

LIFESPAN (HOURS)

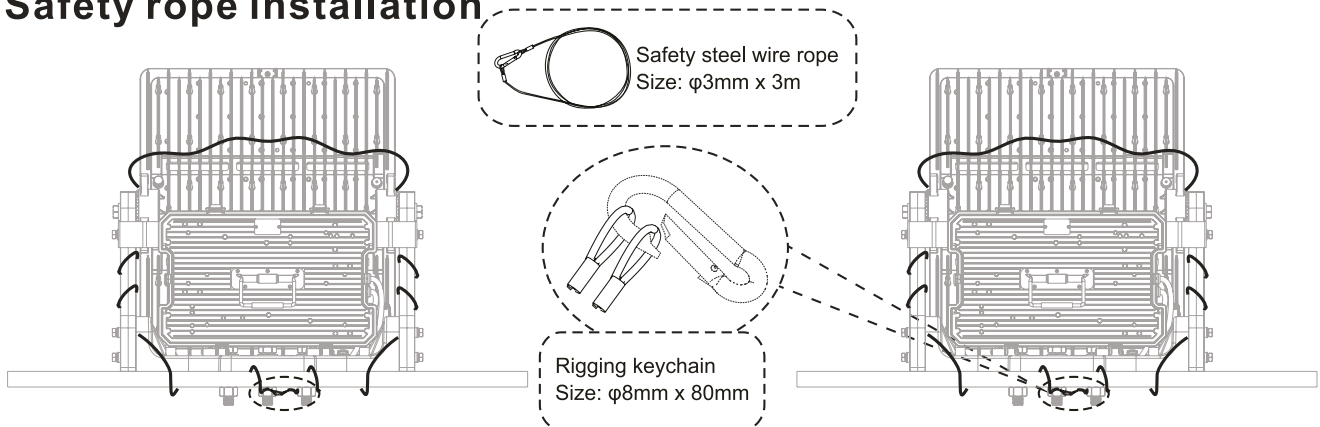
Ta(°C) Life	25°C	30°C	45°C
L70	178000	168000	151000
L80	111000	105000	95000
L90	54000	52000	50000

Bracket installation



*Plan B is recommended when the installation height of the lamp exceeds 3 meters.

Safety rope installation



Rotatable Angle

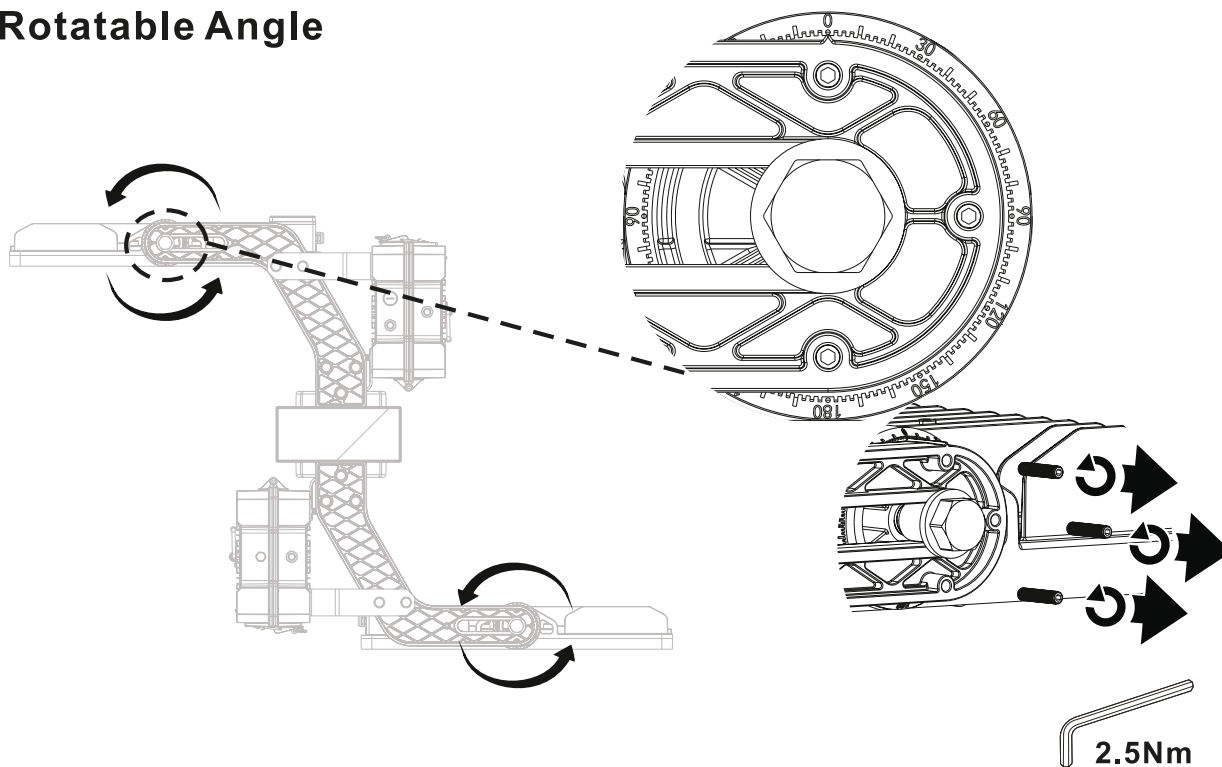
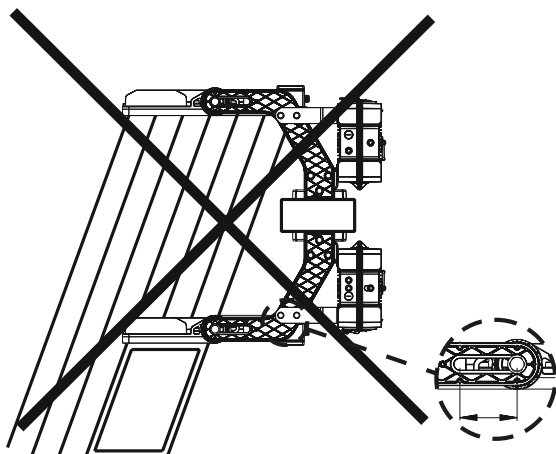


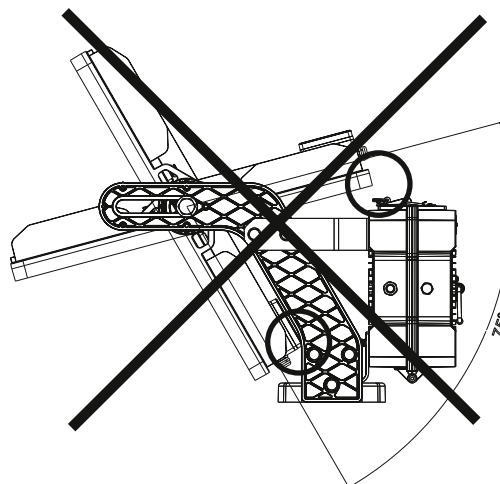
Table 3

	Lamp body angle	0°	15°	30°	40°	50°	65°	90°
EPA Unit: M ² /ft ²	800W/600W without driver box	0.091/0.98	0.141/1.52	0.197/2.12	0.230/2.47	0.256/2.75	0.285/3.06	0.298/3.2
	800W/600W with driver box	0.2/2.15	0.224/2.41	0.258/2.77	0.279/3	0.295/3.17	0.315/3.39	0.328/3.53
	1200W/1000W without driver box	0.091/0.98	0.165/1.77	0.244/2.62	0.261/2.81	0.329/3.54	0.371/3.99	0.392/4.22
	1200W/1000W with driver box	0.2/2.15	0.237/2.55	0.283/3.04	0.290/3.12	0.334/3.59	0.371/3.99	0.392/4.22

Positions Not Allowed



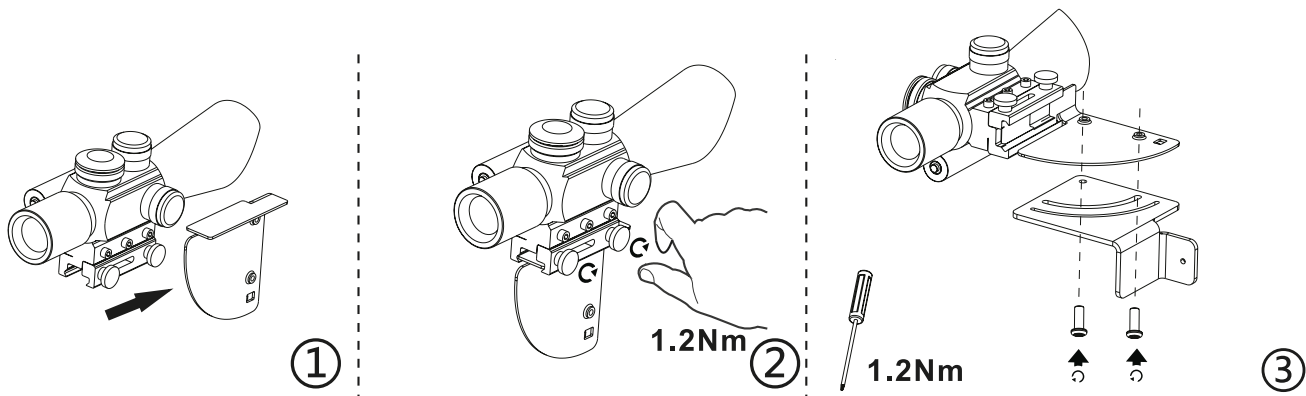
***The lower luminaire should be properly installed to avoid blocking the light from the upper luminaire.**



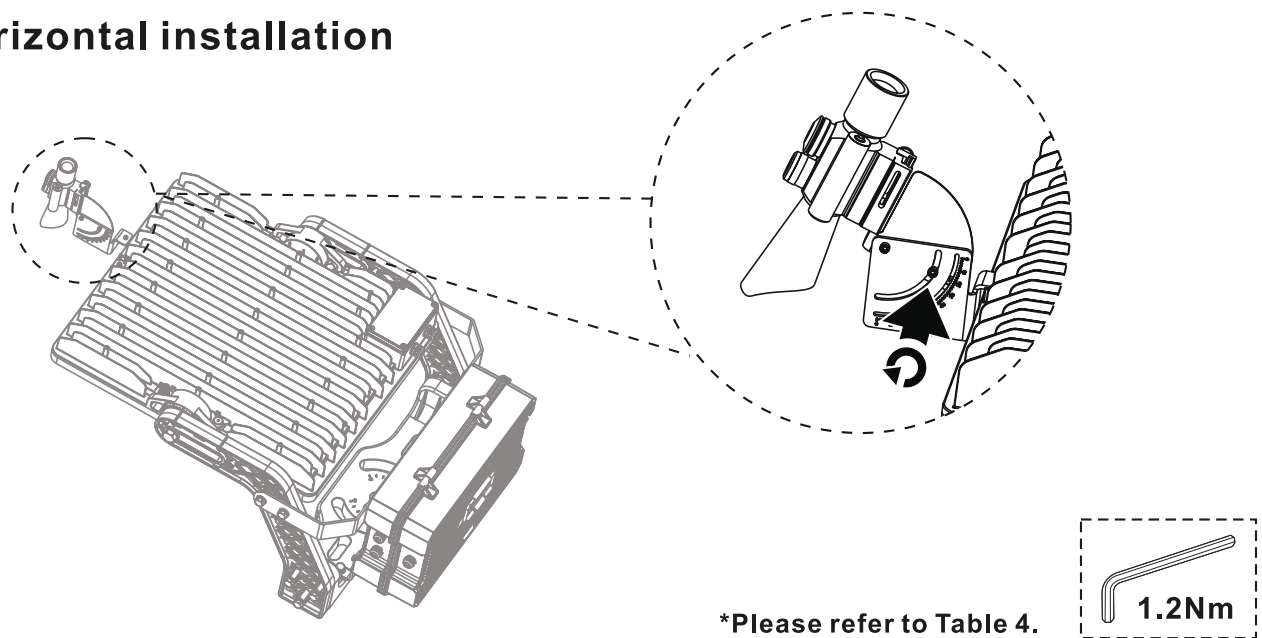
***Please swivel the module appropriately, without touching the bracket or driver box.**

Aiming Device Installation

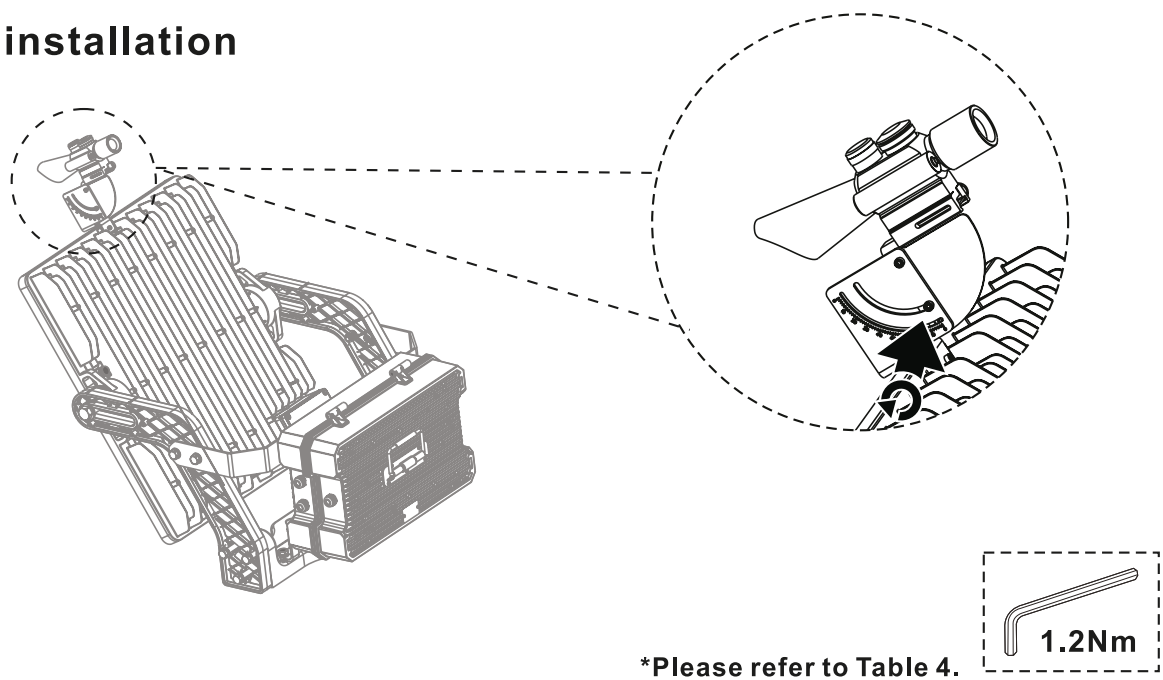
(Laser sight and bracket need to be purchased separately)

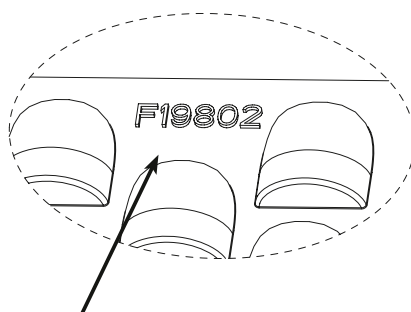


Horizontal installation



Vertical installation





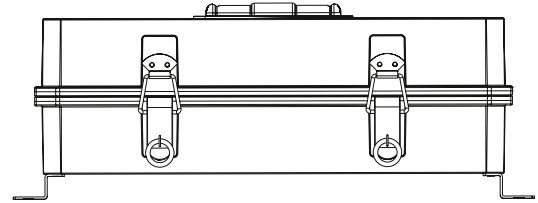
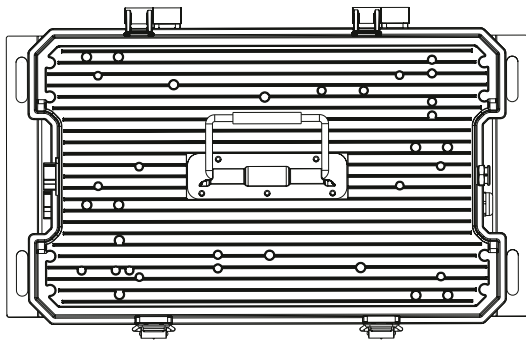
To keep the aiming direction of the aiming device same with luminaire lighting distribution, the aiming device shall be adjusted preliminarily to certain angle, please refer to below table for different beam angles.

Table 4

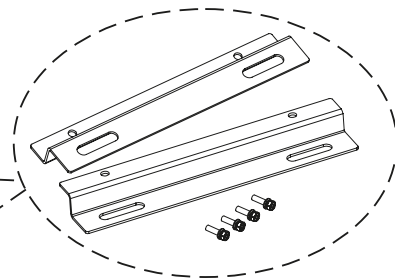
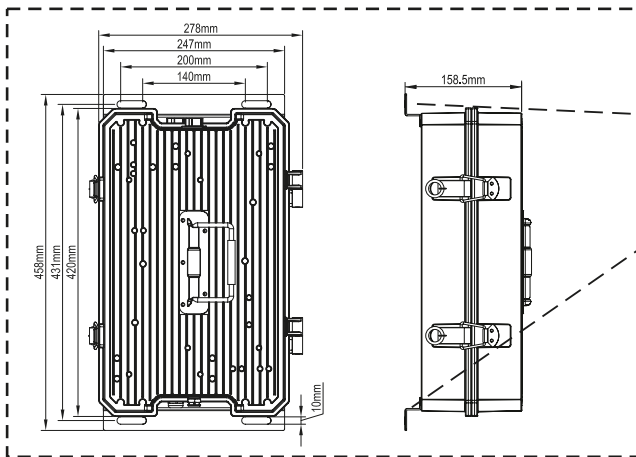
Lens Type	F1	F2	F3	F4
Aiming device mounting angle	5°	35°	53°	0°
photometric data				
Luminaire mounting type	 Horizontal installation	 Horizontal installation	 Horizontal installation	 Vertical installation

Lens Type	F5	F6	F7
Aiming device mounting angle	0°	0°	30°
photometric data			
Luminaire mounting type	 Vertical installation	 Vertical installation	 Horizontal installation

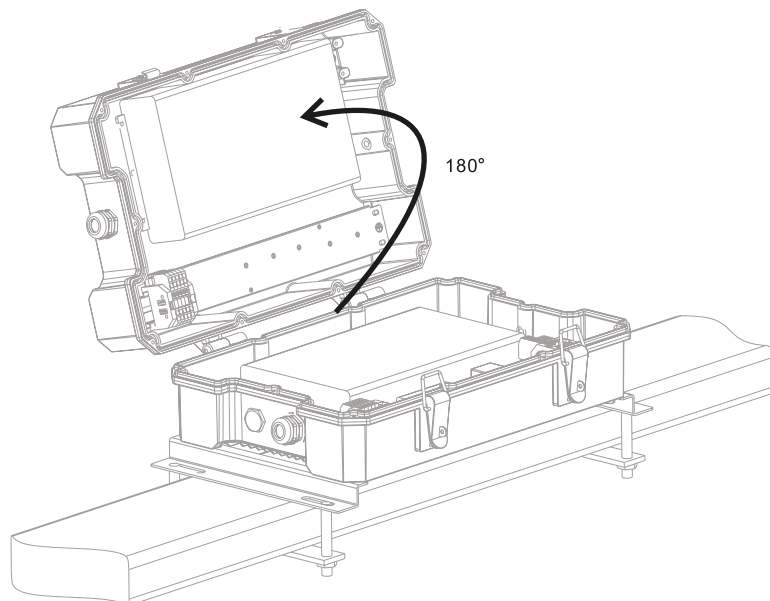
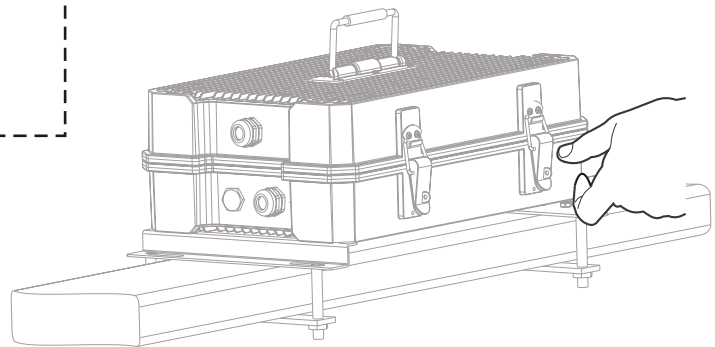
Driver Box



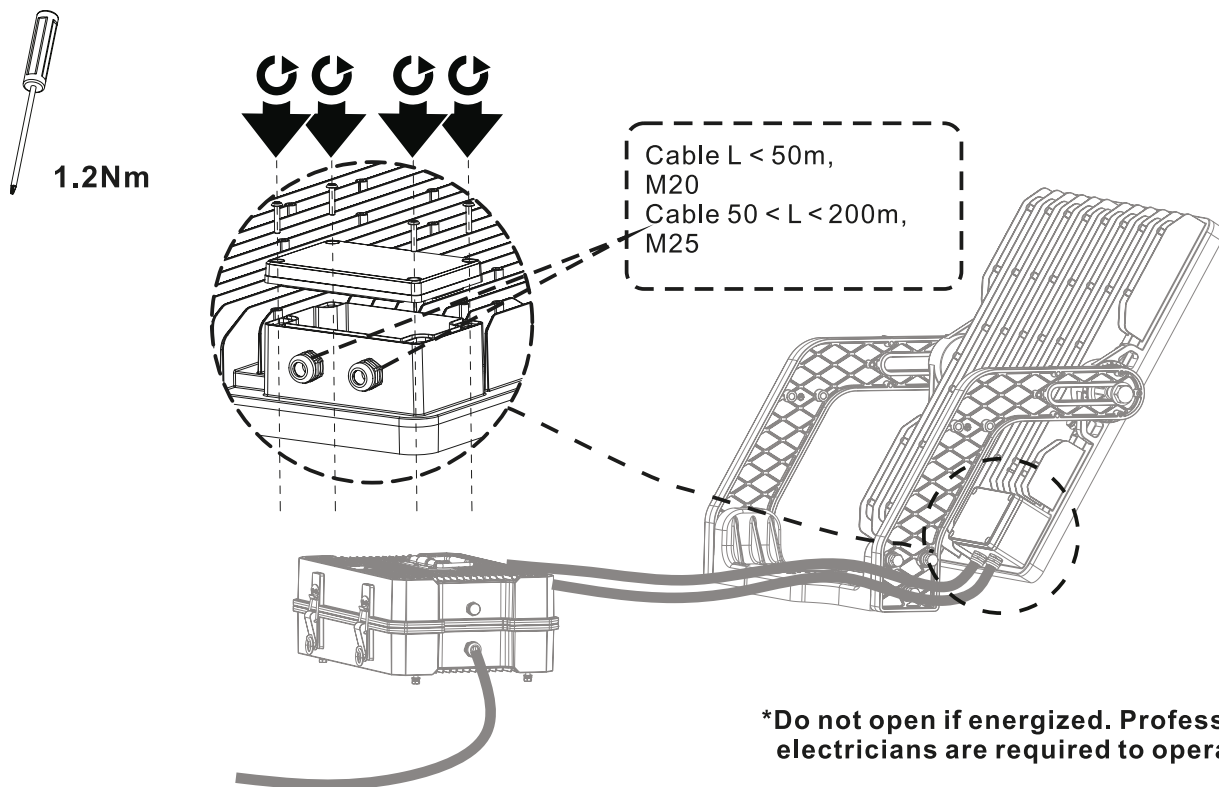
Driver box installation



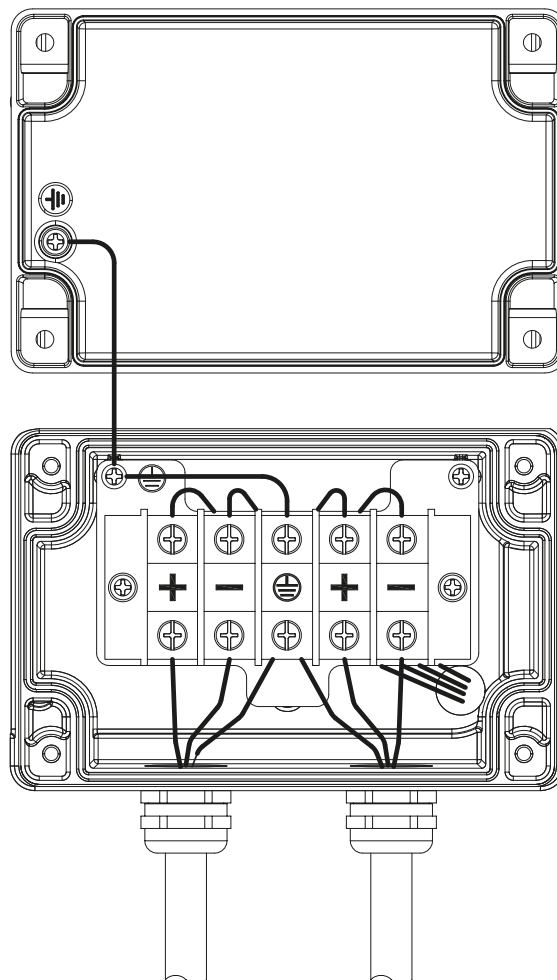
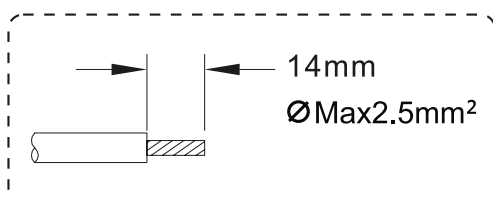
*Optional accessories



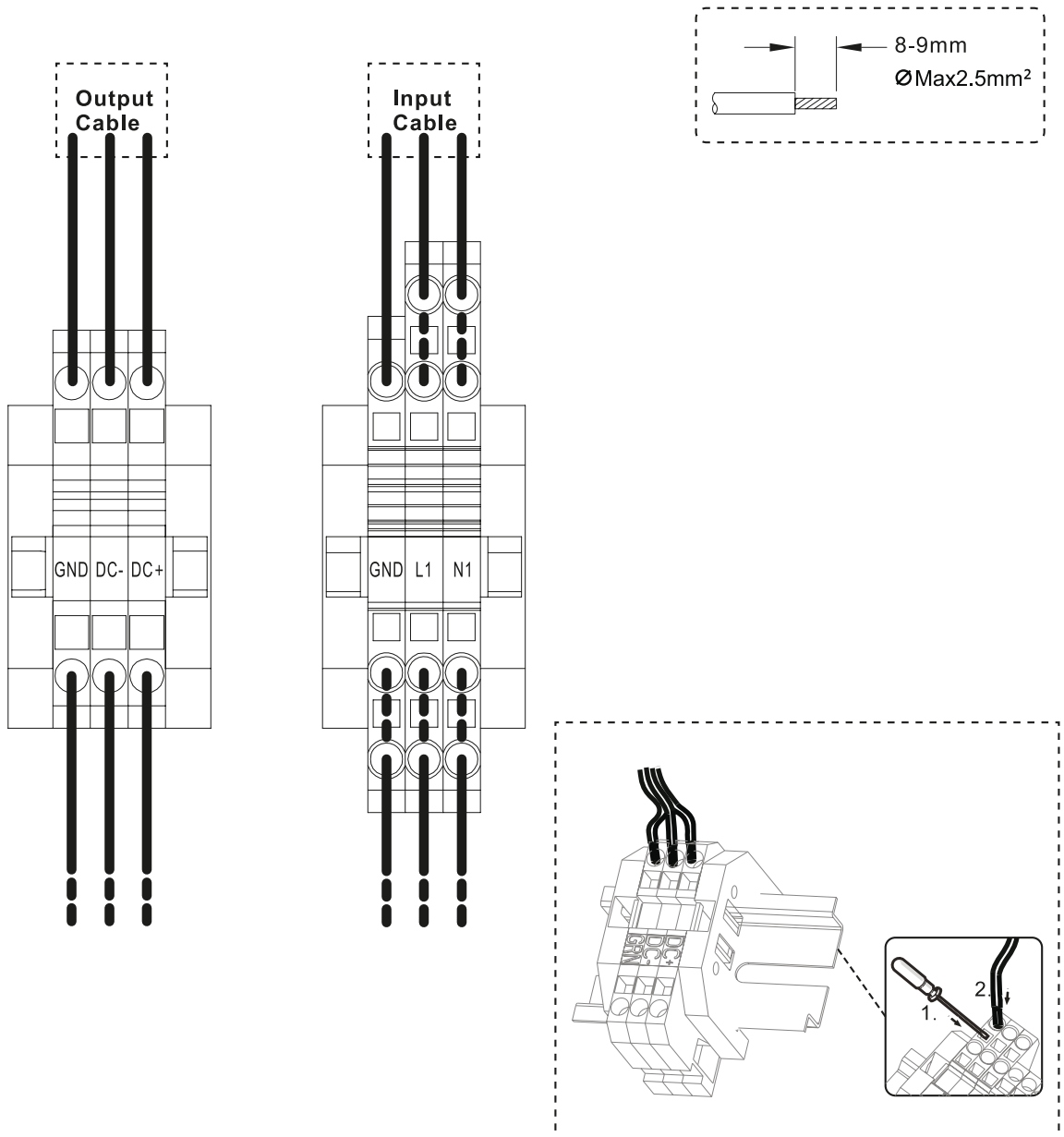
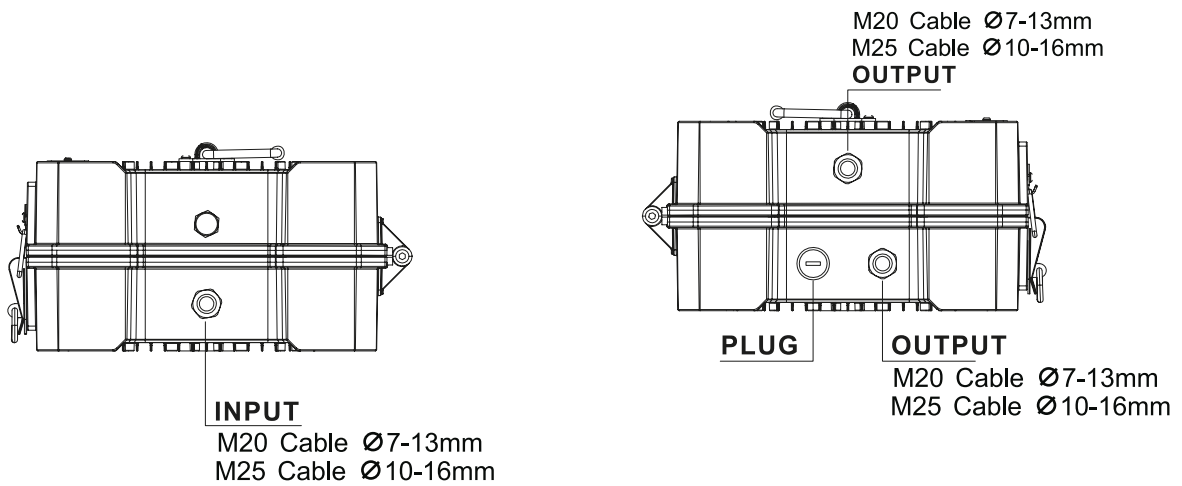
***Do not open if energized. Professional electricians are required to operate.**



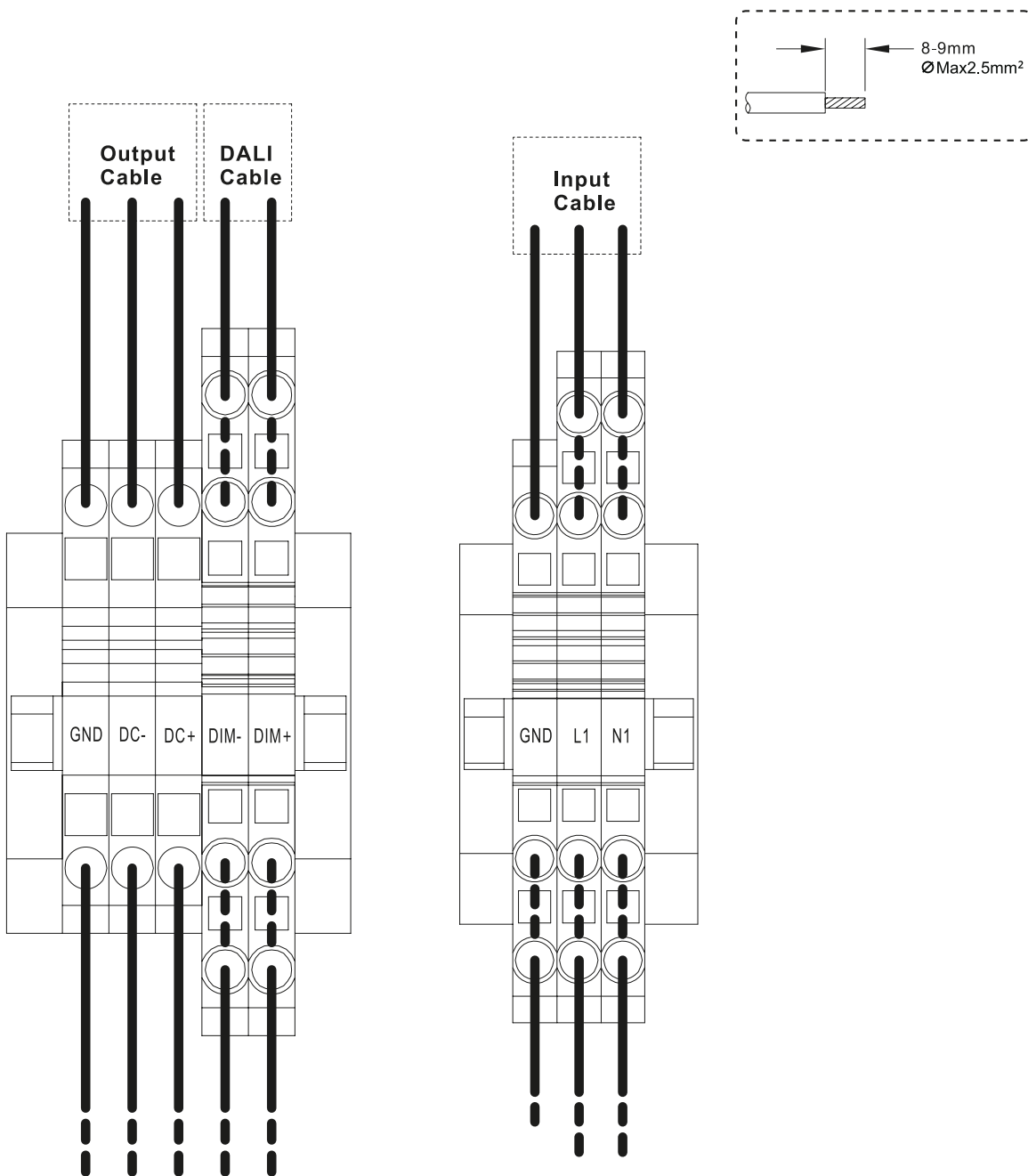
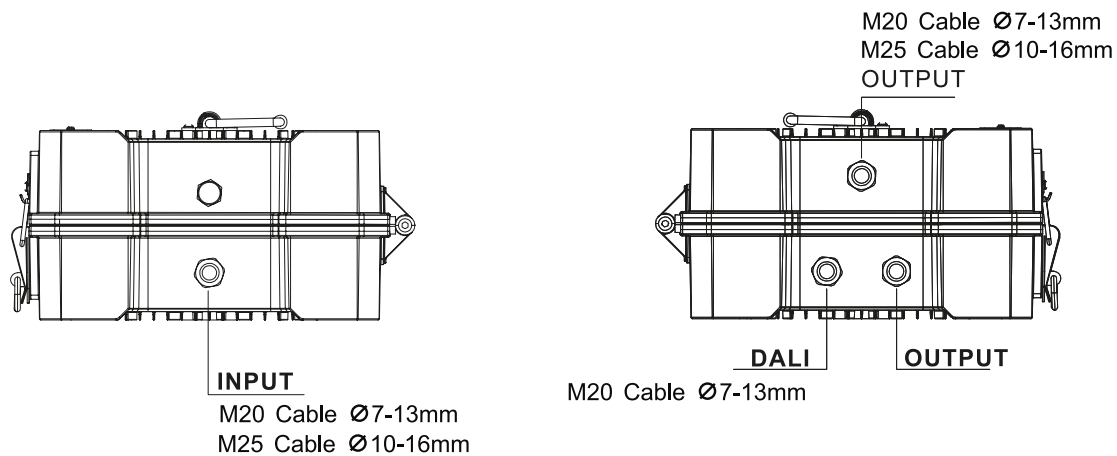
Driver box wiring



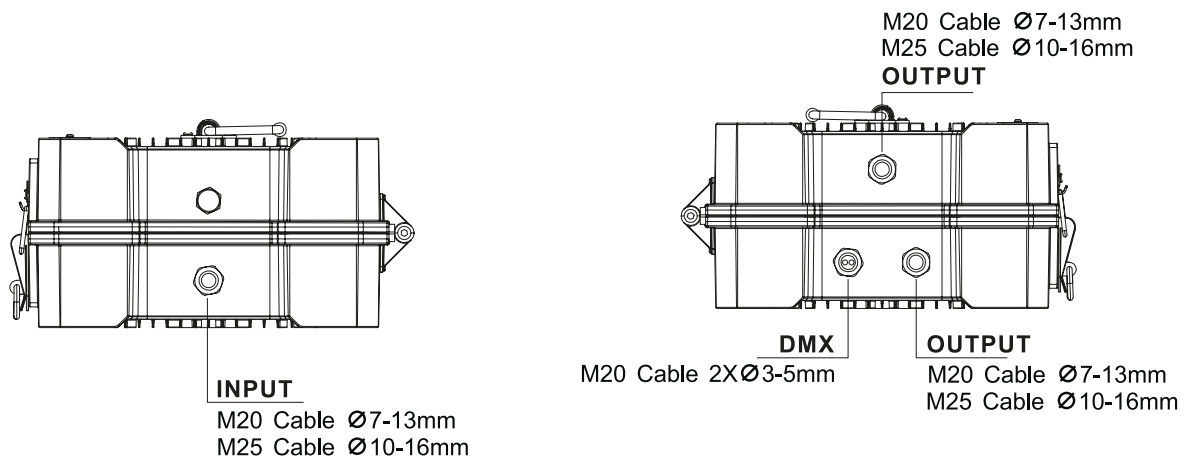
Non-dimmable wiring



DALI wiring



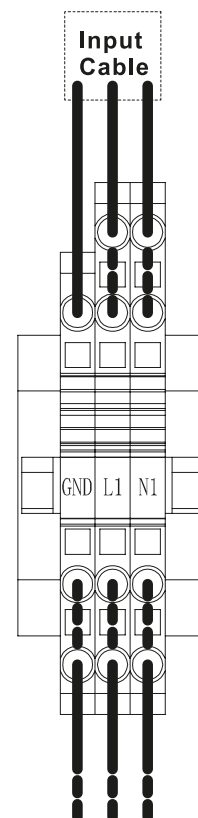
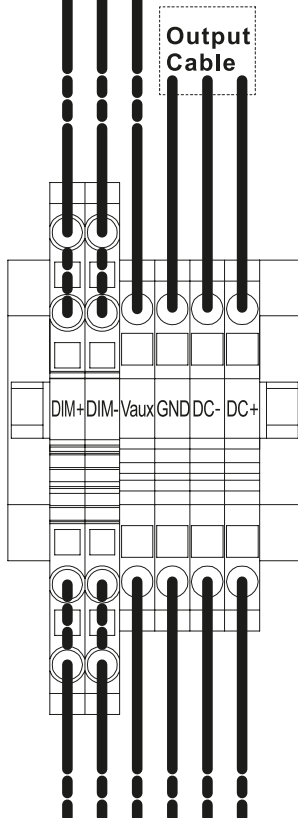
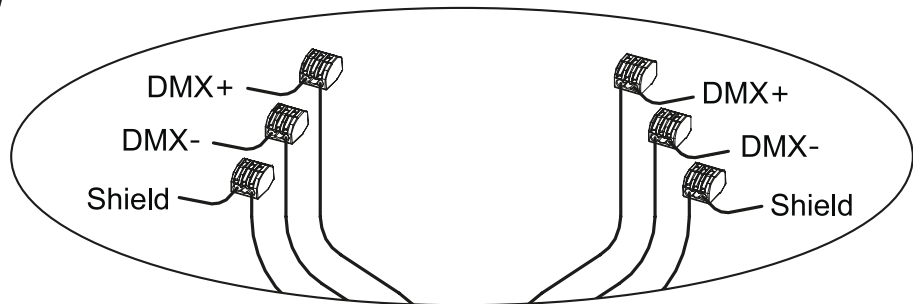
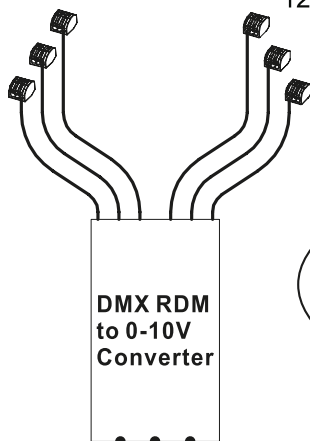
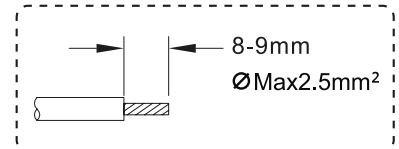
DMX wiring



DMX Input

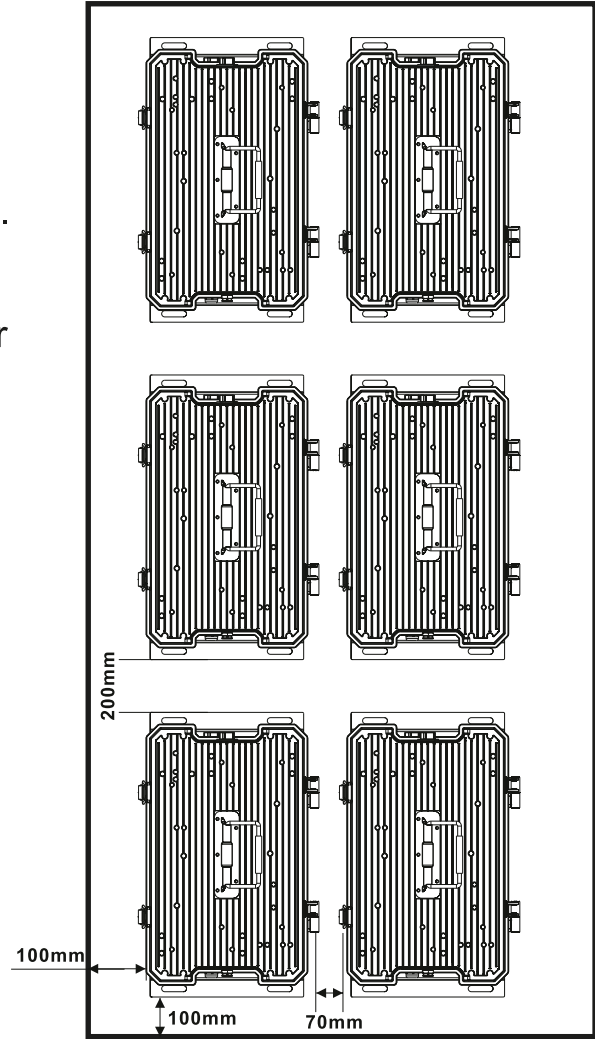
DMX Output

Connect next lamp or connect 120 ohm termina



DISTANCES

When the driver boxes are installed in a confined space, the minimum installation distance must be ensured. And it is necessary to ensure that the temperature 5cm away from the driver box is not higher than the Ta temperature of the lamp.



* Maximum number of luminaires to be connected to standard circuit breakers (fuse)

Table 5

Lamp Type	MCB Type	Input Voltage	Quantity
1200W	MCB B Type 16A	100-240V	1
	MCB B Type 32A	100-240V	2
	MCB C Type 16A	100-240V	2
	MCB C Type 32A	100-240V	4

Lamp Type	MCB Type	Input Voltage	Quantity
1000W	MCB B Type 16A	100-240V	1
	MCB B Type 32A	100-240V	2
	MCB C Type 16A	100-240V	2
	MCB C Type 32A	100-240V	4

Lamp Type	MCB Type	Input Voltage	Quantity
800W	MCB B Type 16A	100-240V	1
	MCB B Type 32A	100-240V	2
	MCB C Type 16A	100-240V	2
	MCB C Type 32A	100-240V	4

Lamp Type	MCB Type	Input Voltage	Quantity
600W	MCB B Type 16A	100-240V	2
	MCB B Type 32A	100-240V	4
	MCB C Type 16A	100-240V	3
	MCB C Type 32A	100-240V	6