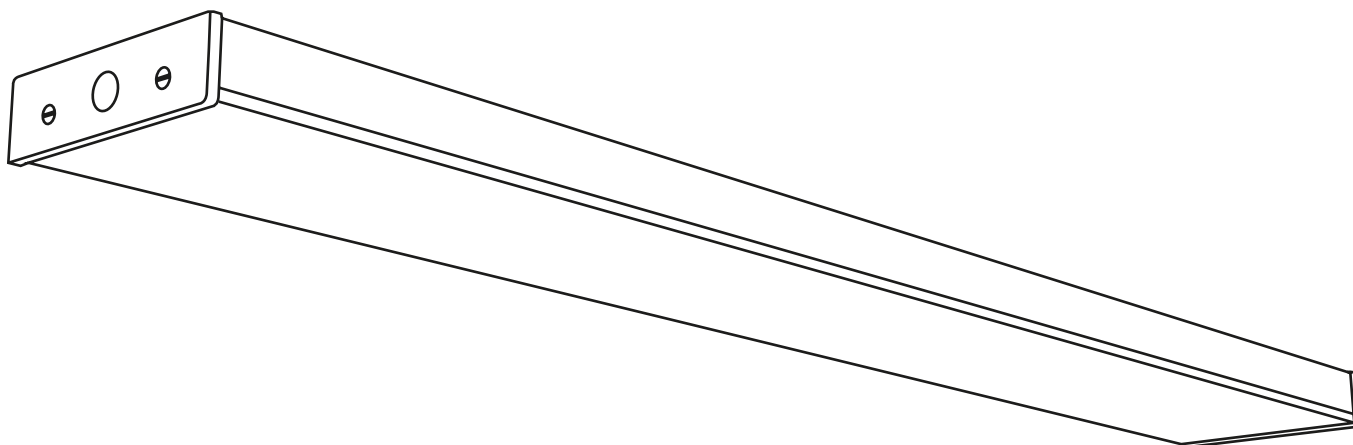


ART. NO.

103050-90-3

103052-90-3

103052-90-3-ddd

NORLUX®*Lighting Solutions*

Uniplus

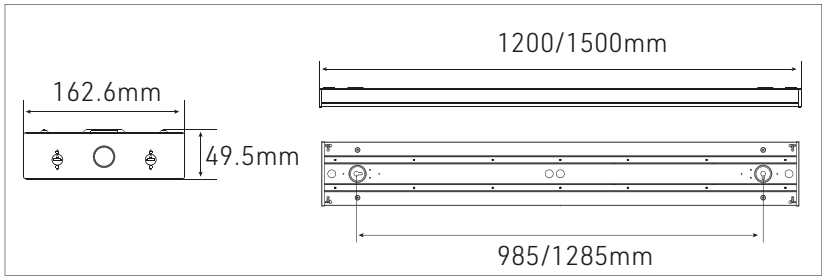
INSTALLATION MANUAL

**⚠ Safety Notes:**

- The product must be installed, maintained, and operated as instructions below.
- Before starting installation of this product, make sure power supply is disconnected.
- Only to be installed by authorized electrician.
- Do not use abrasives or solvents when cleaning.
- Do not install the product if it appears damaged in any way. Check with manufacturer if in doubt.
- Do not modify this fitting in any matter as this will void warranty.
- Check protection class, if class I, it must be earthed.
- Disconnect power supply before maintenance or cleaning.

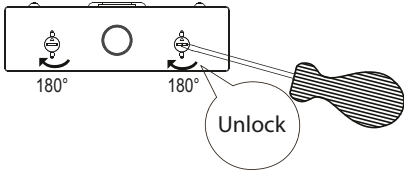
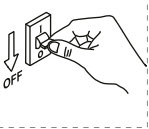
⚠ Sikkerhetsinformasjon:

- Følg installasjonsmanual for korrekt montering.
- Koble alltid fra strømmen før montering eller vedlikehold.
- Kan kun monteres av autorisert elektriker.
- Monter ikke produktet hvis det er synlig skade. Kontakt forhandler eller produsent.
- Bruk ikke løsemidler ved rengjøring
- Produktet skal ikke under noen omstendigheter endres eller modifiseres.
- Sjekk produktets isolasjonsklasse. Ved isolasjonsklasse I skal produktet jordes.

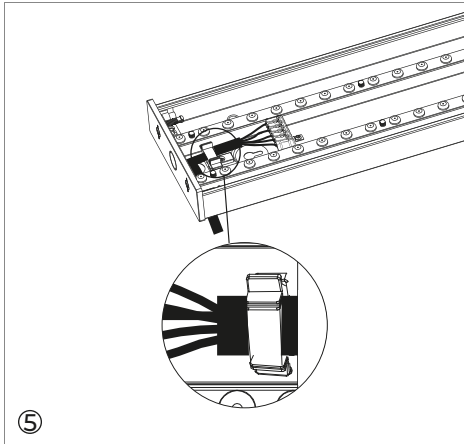


General Safety Information

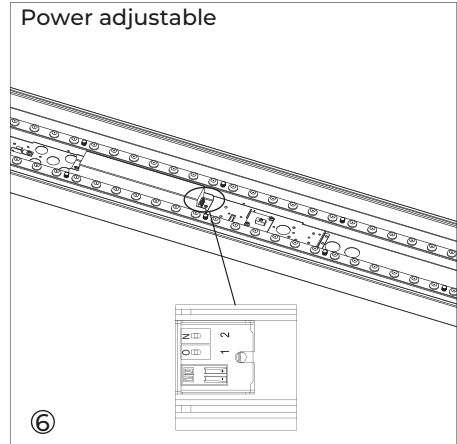
- Installation, commissioning and maintenance only by qualified electrician.
- Never perform any work on the luminaire with voltage applied. Danger to life due to electric shock!
- Electric connection must be appropriate according to all applicable standards and other national and international safety and accident prevention regulations.
- Damaged luminaires must not be operated.
- Observe and retain safety instructions and mounting instructions
- No liability is accepted for damages resulting from improper use.
- Use genuine parts only for repair.



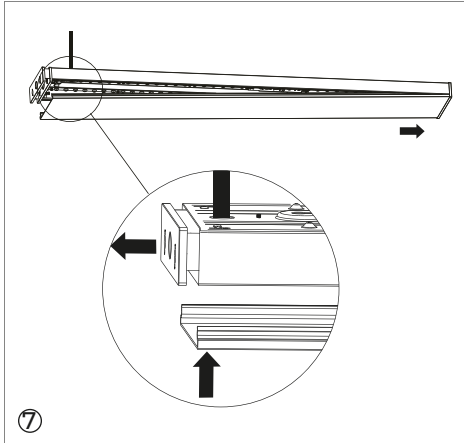
①



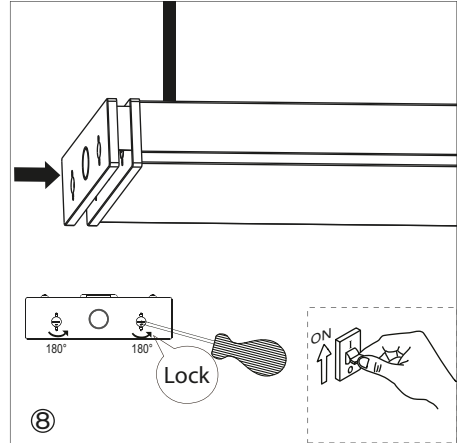
⑤



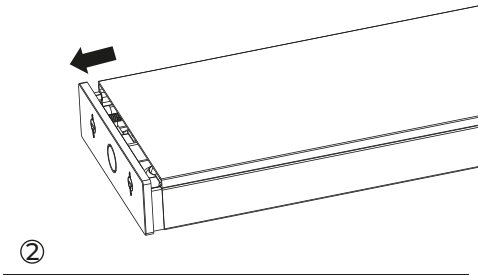
⑥



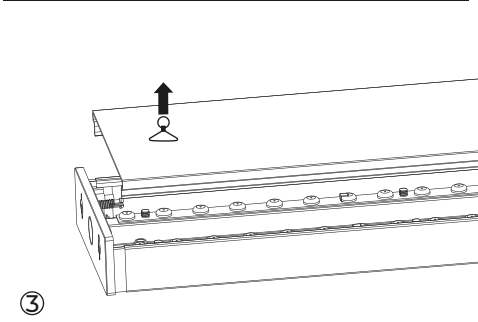
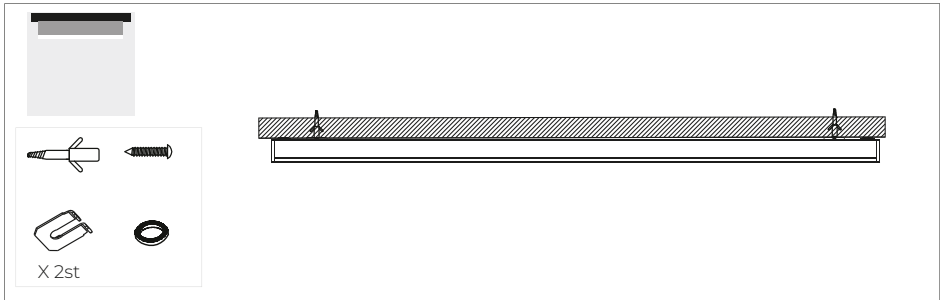
⑦



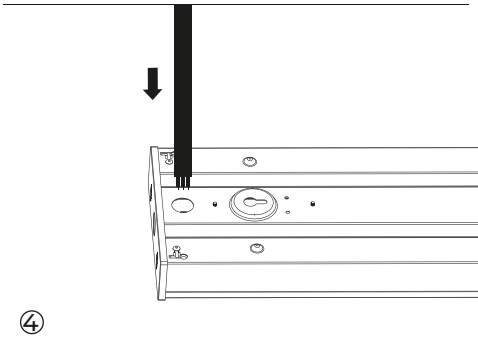
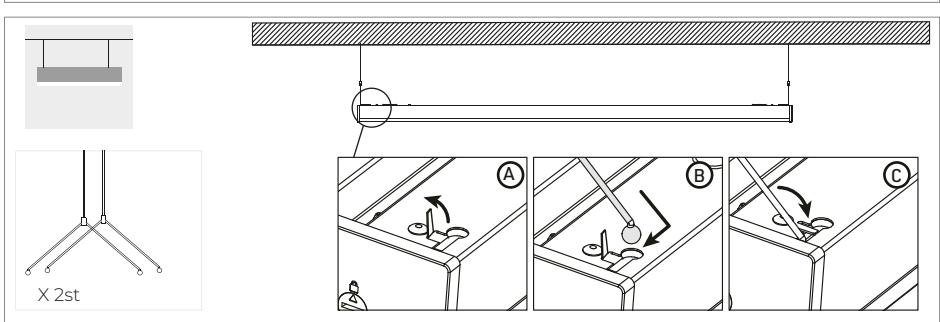
⑧



②



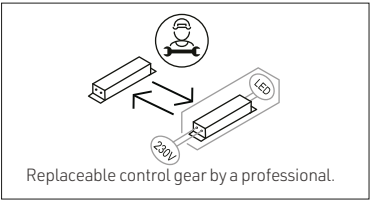
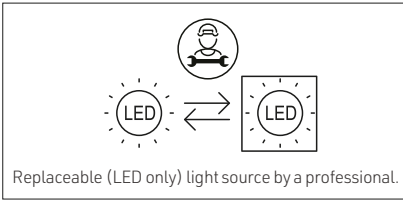
③



④

3 wires	5 wires
Dimmable	DALI
mm	mm
mm ²	mm ²
1-2.5	12

eet
B



This product contains a light source of energy efficiency class .



Replacement steps :

- A: Open the end cap and remove the diffuser;
- B: Screw out the fixing screws on PCB board and LED driver;
- C: Replace the LED module and driver with new one;
- D: Put back the diffuser and lock the end cap.

