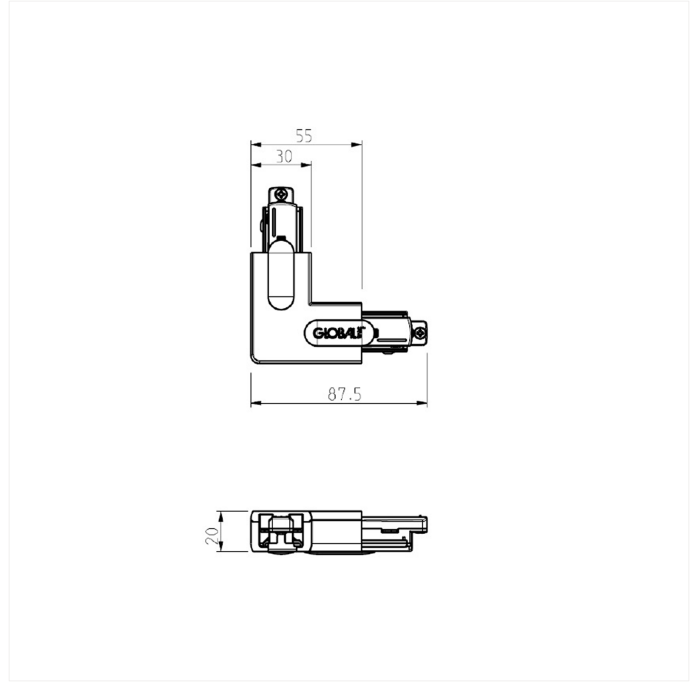




FDV SPEC SHEET

Global Base T-feed Left (inside) 1-circuit WH

Art. no: GB37-3



Global Base T-feed Left (inside) 1-circuit WH

Art. no: GB37-3