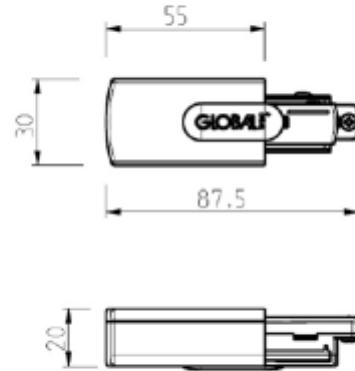




FDV SPEC SHEET

Global Base End Feed 1-circuit Right GR
Art. no: GB12-1



Global Base End Feed 1-circuit Right GR

Art. no: GB12-1