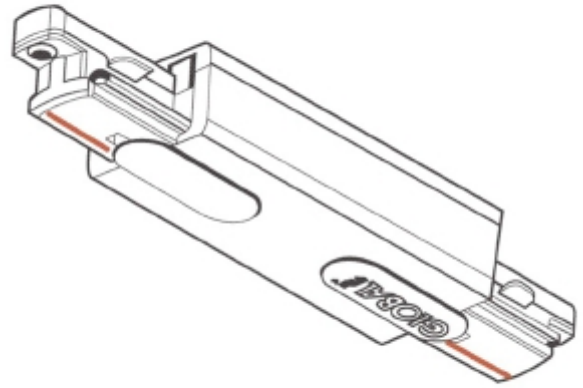




FDV SPEC SHEET

Global Base Middle Feed 1-circuit GR

Art. no: GB14-1



Global Base Middle Feed 1-circuit GR

Art. no: GB14-1