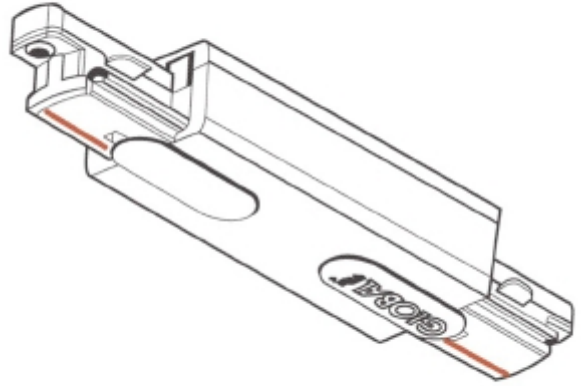




FDV SPEC SHEET

Global Base Middle Feed 1-circuit BK

Art. no: GB14-2



Global Base Middle Feed 1-circuit BK

Art. no: GB14-2