

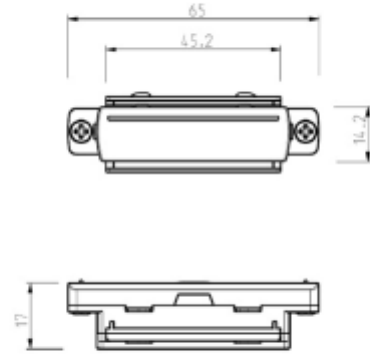
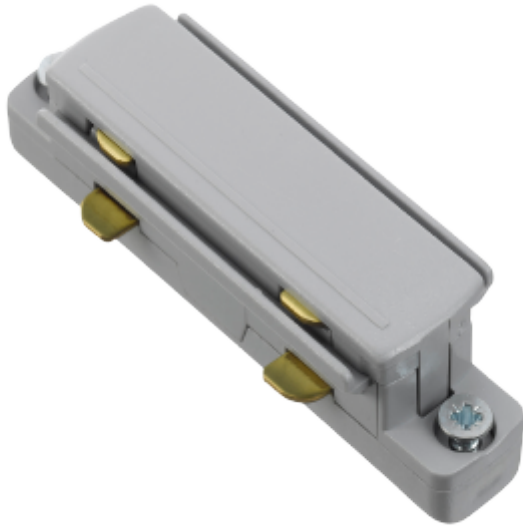


FDV SPEC SHEET

Global Base Straight Connector 1-circuit GR

Art. no: GB21-1

Ledpro
by NORLUX



Global Base Straight Connector 1-circuit GR

Art. no: GB21-1