

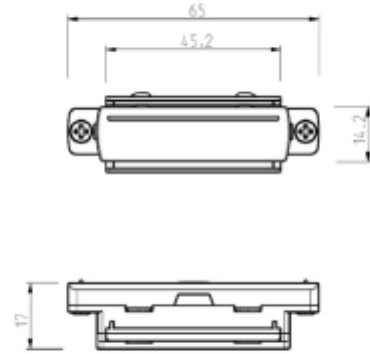


FDV SPEC SHEET

Global Base Straight Connector 1-circuit WH

Art. no: GB21-3

Ledpro
by NORLUX



Global Base Straight Connector 1-circuit WH

Art. no: GB21-3