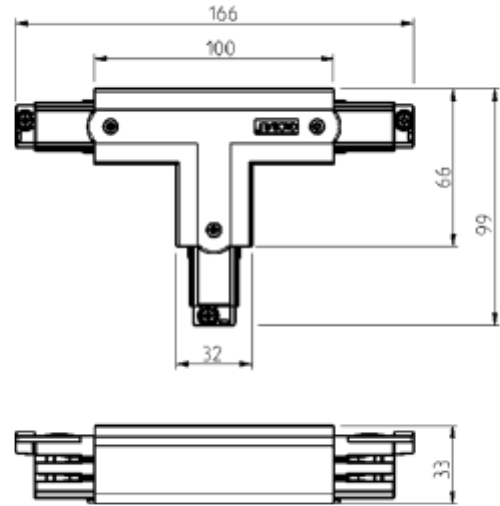




FDV SPEC SHEET

Global Pro T-feed Right (outside) 3-circuit BK
Art. no: XTS36-2



Global Pro T-feed Right (outside) 3-circuit BK

Art. no: XTS36-2