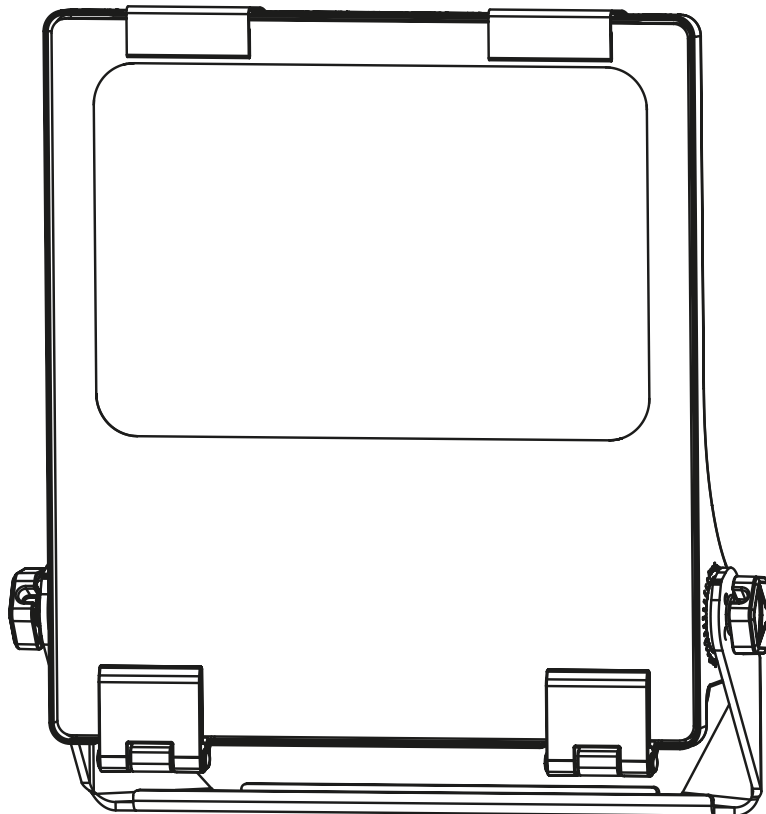


ART. NO.

102677-02-2
102679-02-2
102671-02-2
102673-02-2

NORLUX®*Lighting Solutions*

Iota G2

INSTALLATION MANUAL

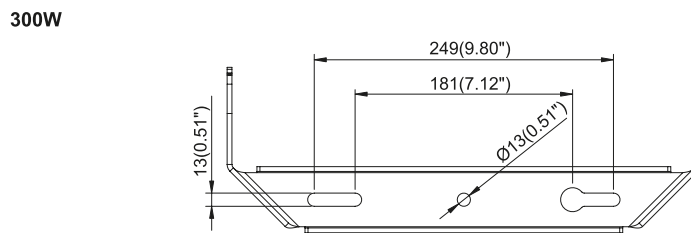
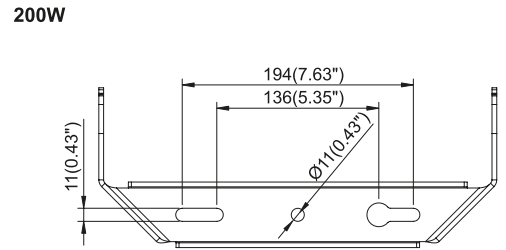
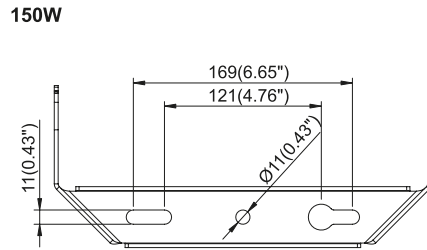
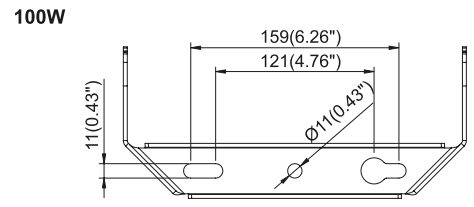
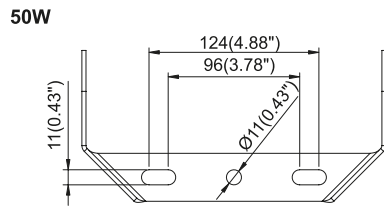
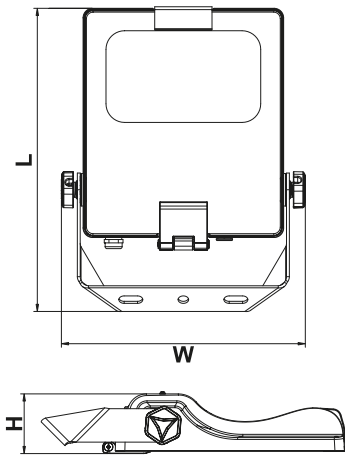
**⚠ Safety Notes:**

- The product must be installed, maintained, and operated as instructions below.
- Before starting installation of this product, make sure power supply is disconnected.
- Only to be installed by authorized electrician.
- Do not use abrasives or solvents when cleaning.
- Do not install the product if it appears damaged in any way. Check with manufacturer if in doubt.
- Do not modify this fitting in any matter as this will void warranty.
- Check protection class, if class I, it must be earthed.
- Disconnect power supply before maintenance or cleaning.

⚠ Sikkerhetsinformasjon:

- Følg installasjonsmanual for korrekt montering.
- Koble alltid fra strømmen før montering eller vedlikehold.
- Kan kun monteres av autorisert elektriker.
- Monter ikke produktet hvis det er synlig skade. Kontakt forhandler eller produsent.
- Bruk ikke løsemidler ved rengjøring
- Produktet skal ikke under noen omstendigheter endres eller modifiseres.
- Sjekk produktets isolasjonsklasse. Ved isolasjonsklasse I skal produktet jordes.

Physical Dimensions(Unit: mm/inch)



	L	W	H
50W	317mm	255mm	63mm
100W	346mm	295mm	67mm
150W	380mm	326mm	73mm
200W	436mm	367mm	78mm
300W	471mm	427mm	78mm

Product Specifications	50W	100W	150W	200W	300W
Input Voltage	100-277VAC / 120-277VAC / 100-240VAC / 220-240VAC (Subject to the input voltage on nameplate)				
Power Frequency	50/60 Hz				
Outlook Dimensions	317x255x63mm (12.48"x10.04"x2.48")	346x295x67mm (13.62"x11.61"x2.63")	380x326x73mm (14.96"x12.83"x2.87")	436x367x78mm (17.16"x14.44"x3.07")	471x427x78mm (18.54"x16.81"x3.07")
Luminaire Net Weight	2.5±0.3kg (5.51±0.66Lbs)	3.7±0.3kg (8.16±0.66Lbs)	4.6±0.3kg (10.14±0.66Lbs)	6.2±0.3kg (13.67±0.66Lbs)	8.1±0.3kg (17.86±0.66Lbs)
Projected Area	0.050m²(0.542ft²)	0.067m²(0.726ft²)	0.084m²(0.904ft²)	0.112m²(1.205ft²)	0.144m²(1.554ft²)
Working Temperature	-30°C to +50°C(-22°F to +122°F)				
Storing Temperature	-40°C to +70°C(-40°F to +158°F)				

AC cords

L	brown		black
N	blue		white
●	yellow/green		green

DIM cords

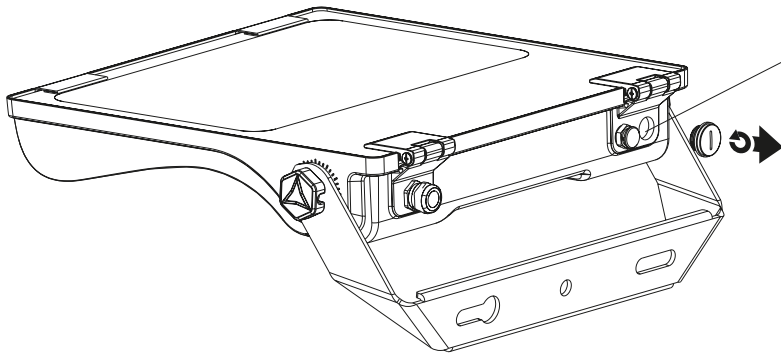
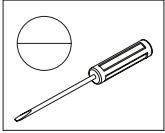
Note: color for dim cords subject to the cable label on luminaire



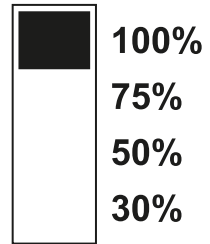
Warning! do not wire dim cord to high voltage, or dim function will fail.

- The light source contained in this luminaire shall only be replaced by the manufacturer or his service agent or a similar qualified person.
- If the external flexible cable or cord of this luminaire is damaged, it shall be exclusively replaced by the manufacturer or his service agent or a similar qualified person in order to avoid a hazard.

Power Selectable

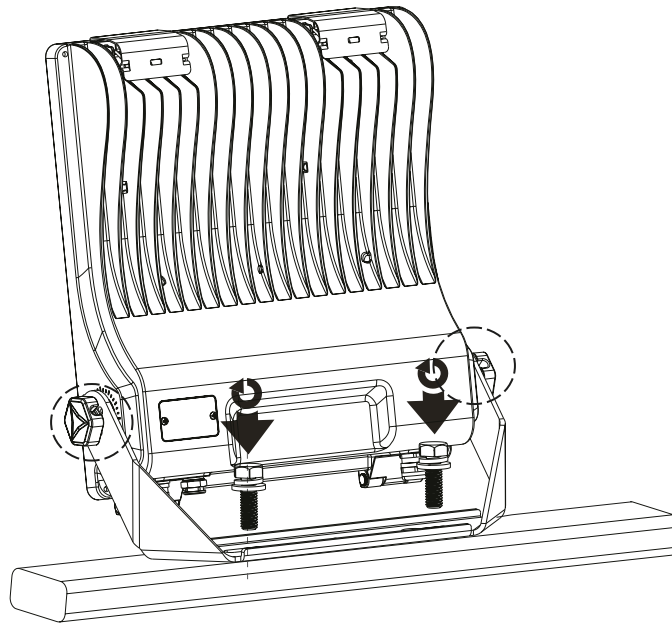


Power Selectable

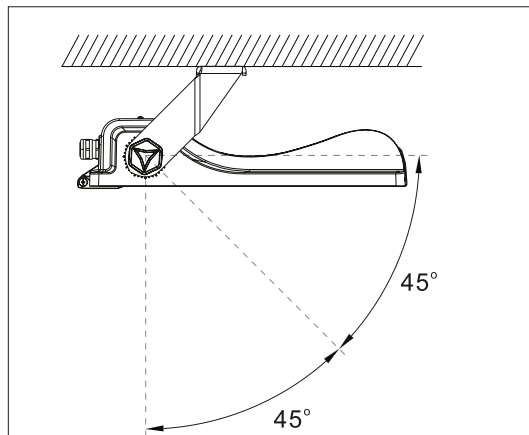
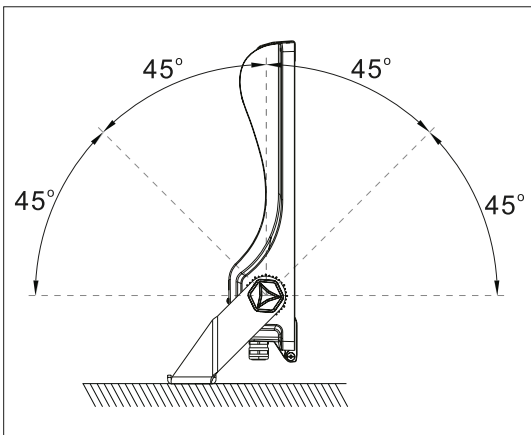


Installation

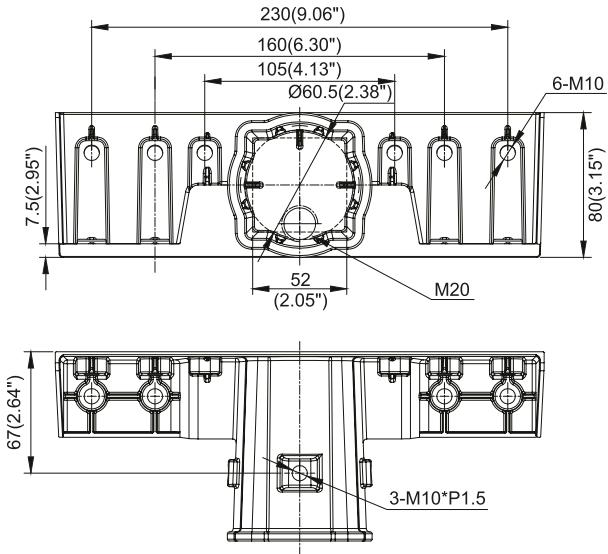
Recommended
screw size: M10



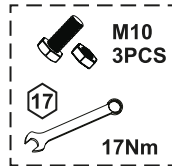
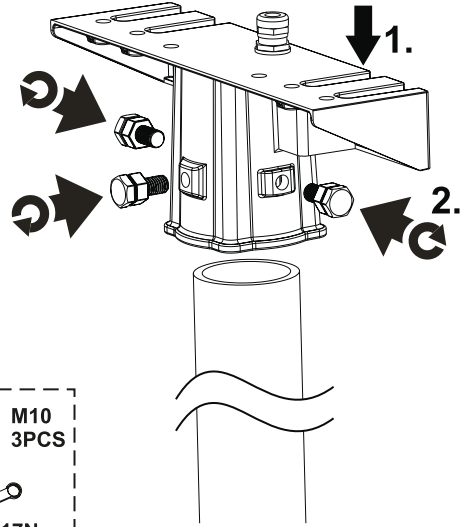
Rotatable angle



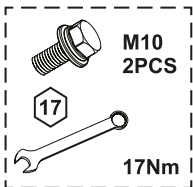
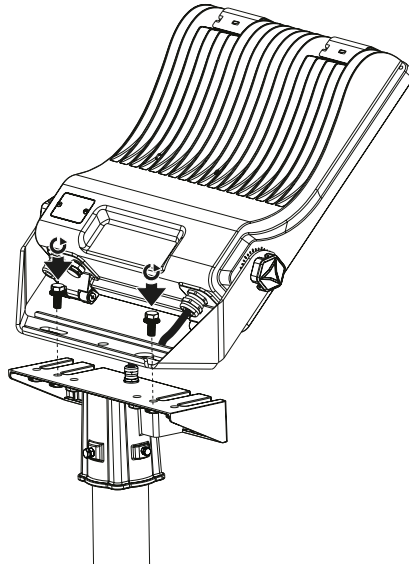
Adaptor Mounting(Optional)



1.



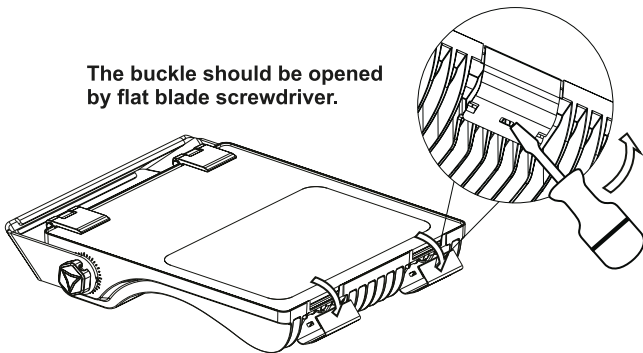
2.



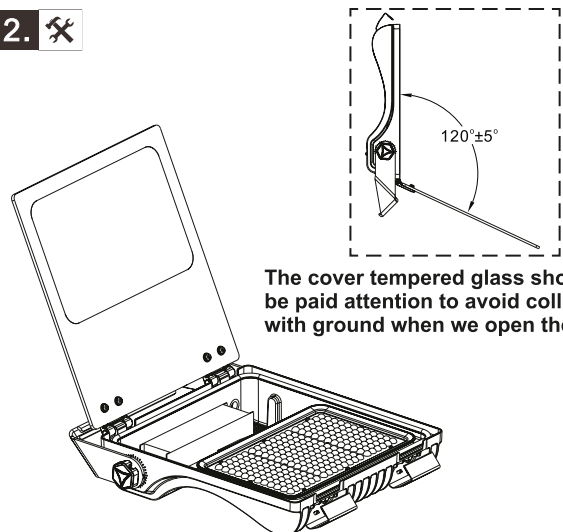
Maintenance

1.

The buckle should be opened by flat blade screwdriver.



2.



The cover tempered glass should be paid attention to avoid collision with ground when we open the buckle.